

SECO SV 1010-1040 C/D

Dry-running rotary vane vacuum pumps



VACUUM SOLUTIONS



Compact

Direct-drive construction

Reliable

Robust construction, proven performance, self-lubricating vanes, no operating fluids

High performance

High performance Aerodur 274 Zirkon vanes, extended lifetime, extremely resistant to wear and humidity

Accessories, spare parts and options

- Inlet filter
- Vacuum regulation valve
- Non-return valve (inlet)
- Hose nipple

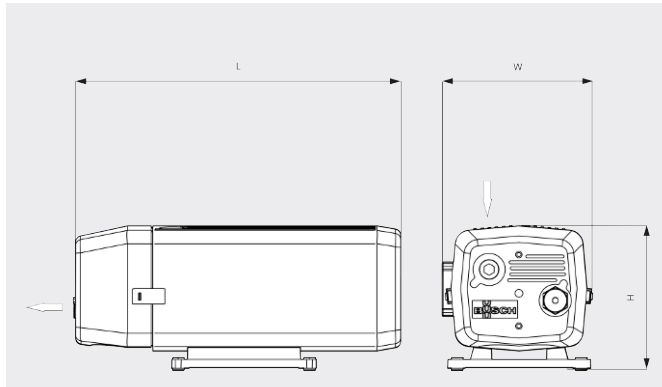
SECO SV 1010-1040 C/D

Dry-running rotary vane vacuum pumps



VACUUM SOLUTIONS

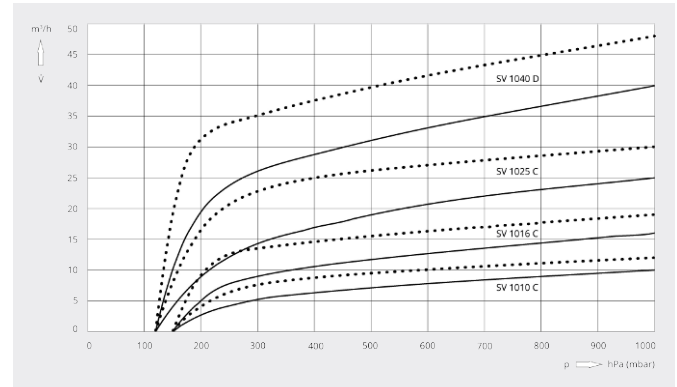
Dimensional drawing



Pumping speed

Air at 20°C. Tolerance: ± 10%

— 50 Hz 60 Hz



| | SECO SV 1010 C | SECO SV 1016 C | SECO SV 1025 C | SECO SV 1040 D |
|-------------------------------|--|--|--|--|
| Nominal pumping speed | 10 / 12 m³/h (50 / 60 Hz) | 16 / 19 m³/h (50 / 60 Hz) | 25 / 30 m³/h (50 / 60 Hz) | 40 / 48 m³/h (50 / 60 Hz) |
| Ultimate pressure | 150 hPa (mbar) (50 / 60 Hz) | 150 hPa (mbar) (50 / 60 Hz) | 120 hPa (mbar) (50 / 60 Hz) | 120 hPa (mbar) (50 / 60 Hz) |
| Nominal motor rating | 0.37 kW (50 / 60 Hz) | 0.55 kW (50 / 60 Hz) | 0.9 kW (50 / 60 Hz) | 1.25 kW (50 / 60 Hz) |
| Nominal motor speed | 1500 / 1800 min ⁻¹ (50 / 60 Hz) | 1500 / 1800 min ⁻¹ (50 / 60 Hz) | 1500 / 1800 min ⁻¹ (50 / 60 Hz) | 1500 / 1800 min ⁻¹ (50 / 60 Hz) |
| Noise level (ISO 2151) | 58 / 61 dB(A) (50 / 60 Hz) | 60 / 65 dB(A) (50 / 60 Hz) | 66 / 65 dB(A) (50 / 60 Hz) | 65 / 64 dB(A) (50 / 60 Hz) |
| Weight approx. | 21 kg | 25 kg | 33 kg | 38 kg |
| Dimensions (L x W x H) | 413 x 239 x 224 mm | 440 x 239 x 224 mm | 499 x 253 x 246 mm | 554 x 257 x 246 mm |
| Gas inlet / outlet | G ½" / G ½" | G ½" / G ½" | G ¾" / G ¾" | G ¾" / G ¾" |

DO YOU WANT TO KNOW MORE?

Get in touch with us directly!
sales@busch.co.za or +27 (0)11 856 0650



CONTACT FORM



CALL NOW