

MINK MM 1104-1142 BP

Dry claw compressors



VACUUM SOLUTIONS



Flexible

Designed for numerous industrial applications of up to 2.0 bar(g), inlet filter and pressure relief valve as standard

Reliable

Effective air cooling, constantly high volume flow throughout the entire life cycle

Nearly maintenance-free

Dry and contact-free compression

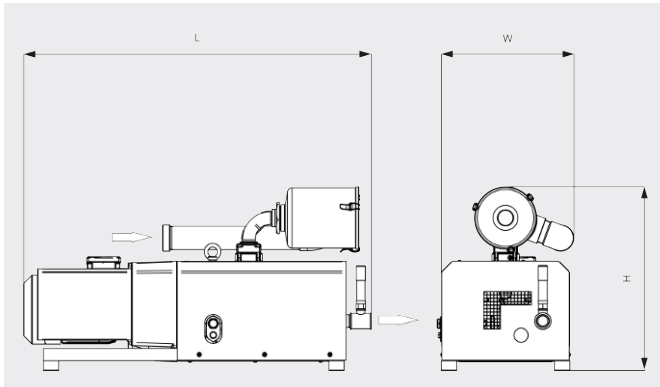
MINK MM 1104-1142 BP

Dry claw compressors



VACUUM SOLUTIONS

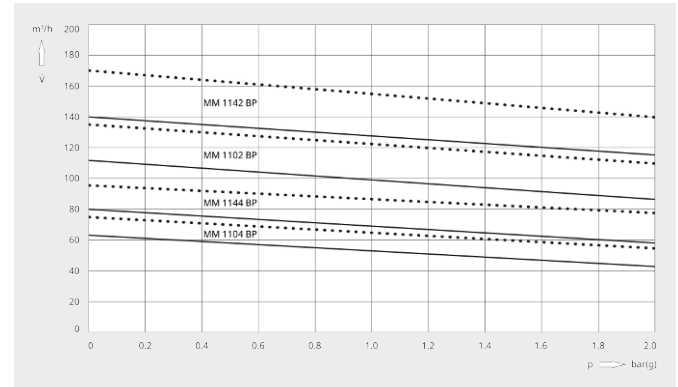
Dimensional drawing



Volume flow

Air at 20°C. Tolerance: ± 10%

— 50 Hz 60 Hz



	MINK MM 1104 BP	MINK MM 1104 BP	MINK MM 1104 BP
Volume flow (at inlet)	62 / 75 m³/h (50 / 60 Hz)	62 / 75 m³/h (50 / 60 Hz)	62 / 75 m³/h (50 / 60 Hz)
Overpressure	1.2 / 0.8 bar(g) (50 / 60 Hz)	1.8 / 1.4 bar(g) (50 / 60 Hz)	2.0 bar(g) (50 / 60 Hz)
Nominal motor rating	2.2 kW (50 / 60 Hz)	2.9 / 3.0 kW (50 / 60 Hz)	3.2 / 3.8 kW (50 / 60 Hz)
Nominal motor speed	1500 / 1800 min ⁻¹ (50 / 60 Hz)	1500 / 1800 min ⁻¹ (50 / 60 Hz)	1500 / 1800 min ⁻¹ (50 / 60 Hz)
Noise level (ISO 2151)	71 / 73 dB(A) (50 / 60 Hz)	71 / 73 dB(A) (50 / 60 Hz)	71 / 73 dB(A) (50 / 60 Hz)
Weight approx.	155 kg	155 kg	155 kg
Dimensions (L x W x H)	1080 x 430 x 590 mm	1080 x 430 x 590 mm	1080 x 430 x 590 mm
Gas outlet	G 1¼"	G 1¼"	G 1¼"

	MINK MM 1144 BP	MINK MM 1144 BP	MINK MM 1144 BP
Volume flow (at inlet)	80 / 95 m³/h (50 / 60 Hz)	80 / 95 m³/h (50 / 60 Hz)	80 / 95 m³/h (50 / 60 Hz)
Overpressure	1.0 bar(g) (50 / 60 Hz)	1.4 bar(g) (50 / 60 Hz)	2.0 bar(g) (50 / 60 Hz)
Nominal motor rating	2.7 / 3.4 kW (50 / 60 Hz)	3.4 / 4.0 kW (50 / 60 Hz)	4.4 / 5.1 kW (50 / 60 Hz)
Nominal motor speed	1500 / 1800 min ⁻¹ (50 / 60 Hz)	1500 / 1800 min ⁻¹ (50 / 60 Hz)	1500 / 1800 min ⁻¹ (50 / 60 Hz)
Noise level (ISO 2151)	71 / 73 dB(A) (50 / 60 Hz)	71 / 73 dB(A) (50 / 60 Hz)	71 / 73 dB(A) (50 / 60 Hz)
Weight approx.	160 kg	160 kg	160 kg

MINK MM 1104-1142 BP

Dry claw compressors



VACUUM SOLUTIONS

	MINK MM 1144 BP	MINK MM 1144 BP	MINK MM 1144 BP
Dimensions (L x W x H)	1190 x 430 x 590 mm	1190 x 430 x 590 mm	1190 x 430 x 590 mm
Gas outlet	G 1¼"	G 1¼"	G 1¼"

	MINK MM 1102 BP	MINK MM 1102 BP	MINK MM 1102 BP
Volume flow (at inlet)	110 / 135 m³/h (50 / 60 Hz)	110 / 135 m³/h (50 / 60 Hz)	110 / 135 m³/h (50 / 60 Hz)
Overpressure	0.7 bar(g) (50 / 60 Hz)	1.4 / 1.1 bar(g) (50 / 60 Hz)	2.0 bar(g) (50 / 60 Hz)
Nominal motor rating	4.0 / 5.5 kW (50 / 60 Hz)	5.5 / 6.5 kW (50 / 60 Hz)	6.9 / 8.6 kW (50 / 60 Hz)
Nominal motor speed	3000 / 3600 min ⁻¹ (50 / 60 Hz)	3000 / 3600 min ⁻¹ (50 / 60 Hz)	3000 / 3600 min ⁻¹ (50 / 60 Hz)
Noise level (ISO 2151)	78 / 81 dB(A) (50 / 60 Hz)	78 / 81 dB(A) (50 / 60 Hz)	78 / 81 dB(A) (50 / 60 Hz)
Weight approx.	160 kg	160 kg	160 kg
Dimensions (L x W x H)	1195 x 430 x 590 mm	1195 x 430 x 590 mm	1195 x 430 x 590 mm
Gas outlet	G 1¼"	G 1¼"	G 1¼"

	MINK MM 1142 BP	MINK MM 1142 BP	MINK MM 1142 BP
Volume flow (at inlet)	140 / 170 m³/h (50 / 60 Hz)	140 / 170 m³/h (50 / 60 Hz)	140 / 170 m³/h (50 / 60 Hz)
Overpressure	1.0 bar(g) (50 / 60 Hz)	1.4 bar(g) (50 / 60 Hz)	2.0 bar(g) (50 / 60 Hz)
Nominal motor rating	6.0 / 8.0 kW (50 / 60 Hz)	7.5 / 9.5 kW (50 / 60 Hz)	9.0 / 11.5 kW (50 / 60 Hz)
Nominal motor speed	3000 / 3600 min ⁻¹ (50 / 60 Hz)	3000 / 3600 min ⁻¹ (50 / 60 Hz)	3000 / 3600 min ⁻¹ (50 / 60 Hz)
Noise level (ISO 2151)	78 / 81 dB(A) (50 / 60 Hz)	78 / 81 dB(A) (50 / 60 Hz)	78 / 81 dB(A) (50 / 60 Hz)
Weight approx.	165 kg	165 kg	165 kg
Dimensions (L x W x H)	1210 x 430 x 590 mm	1210 x 430 x 590 mm	1210 x 430 x 590 mm
Gas outlet	G 1¼"	G 1¼"	G 1¼"

DO YOU WANT TO KNOW MORE?

Get in touch with us directly!
sales@busch.co.za or +27 (0)11 856 0650



CONTACT FORM



CALL NOW