

DOLPHIN LA 0053-0143 A

Liquid ring vacuum pumps



VACUUM SOLUTIONS



Robust

Proven technology, durable single-stage construction

Reliable

Extremely high vapor and particle tolerance

Flexible

Wide range of construction materials, including cast iron (EN-GJL-200), many grades of stainless steel and even titanium, ATEX-certified version available (Cat 1(i)/2(o) IIC T5), different operating fluids possible, operation as compressor possible

Accessories, spare parts and options

- Partial or total recirculation systems
- Liquid separator
- Cavitation protection
- Heat exchanger
- Gas ejector
- Wide selection of motors
- Non-return valves
- Vacuum relief valves

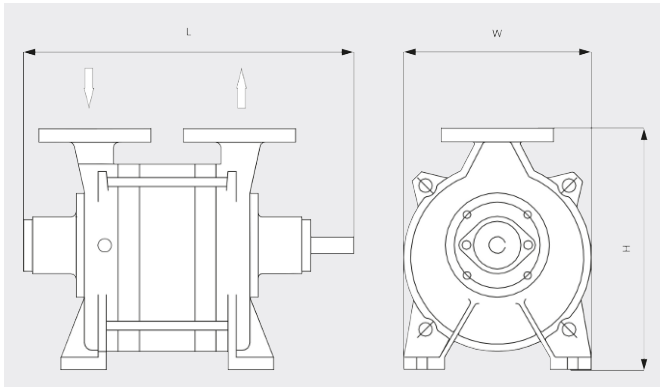
DOLPHIN LA 0053-0143 A

Liquid ring vacuum pumps



VACUUM SOLUTIONS

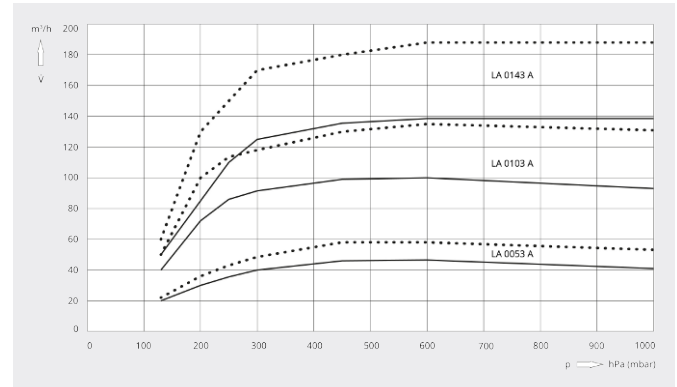
Dimensional drawing



Pumping speed

Air at 20°C. Tolerance: ± 10%

— 50 Hz 60 Hz



| | DOLPHIN LA 0053 A | DOLPHIN LA 0103 A | DOLPHIN LA 0143 A |
|-------------------------------|--|--|--|
| Nominal pumping speed | 50 / 60 m³/h (50 / 60 Hz) | 100 / 135 m³/h (50 / 60 Hz) | 140 / 190 m³/h (50 / 60 Hz) |
| Ultimate pressure | 130 hPa (mbar) (50 / 60 Hz) | 130 hPa (mbar) (50 / 60 Hz) | 130 hPa (mbar) (50 / 60 Hz) |
| Nominal motor rating | 1.5 / 2.2 kW (50 / 60 Hz) | 4 kW (50 / 60 Hz) | 4 / 5.5 kW (50 / 60 Hz) |
| Nominal motor speed | 1450 / 1750 min ⁻¹ (50 / 60 Hz) | 1450 / 1750 min ⁻¹ (50 / 60 Hz) | 1450 / 1750 min ⁻¹ (50 / 60 Hz) |
| Noise level (ISO 2151) | 72 dB(A) (50 / 60 Hz) | 72 dB(A) (50 / 60 Hz) | 72 dB(A) (50 / 60 Hz) |
| Weight approx. | 47 kg | 52 kg | 57 kg |
| Dimensions (L x W x H) | (399 – 574) x 250 x 320 mm | (439 – 614) x 250 x 320 mm | (479 – 654) x 250 x 320 mm |
| Gas inlet / outlet | DN 40 PN 10 / DN 40 PN 10 | DN 40 PN 10 / DN 40 PN 10 | DN 40 PN 10 / DN 40 PN 10 |

DO YOU WANT TO KNOW MORE?

Get in touch with us directly!
sales@busch.co.za or +27 (0)11 856 0650



CONTACT FORM



CALL NOW