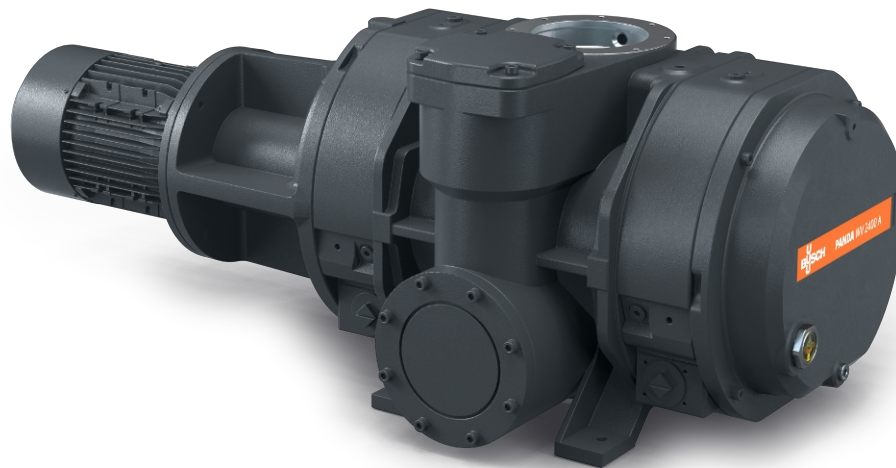


# PANDA WV 1200-2400 A

Vacuum boosters



VACUUM SOLUTIONS



## Reliable

Solid lobe design, robust construction made of GGG40 material, reliable under varying operating conditions, barrier gas connection, standard mechanical shaft seals, perfectly suited for chemical processes

## High performance

Excellent volumetric efficiency, high ultimate pressure, increases the performance of a vacuum system by up to a factor of ten, integrated bypass valve, specially designed for rough and medium vacuum applications

## Flexible

Can be flanged directly on the system at any position, boosts the performance of all types of backing pumps, with vertical or lateral discharge

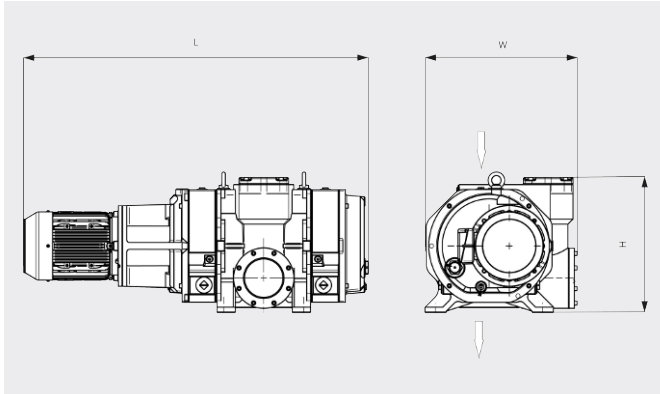
# PANDA WV 1200–2400 A

Vacuum boosters



VACUUM SOLUTIONS

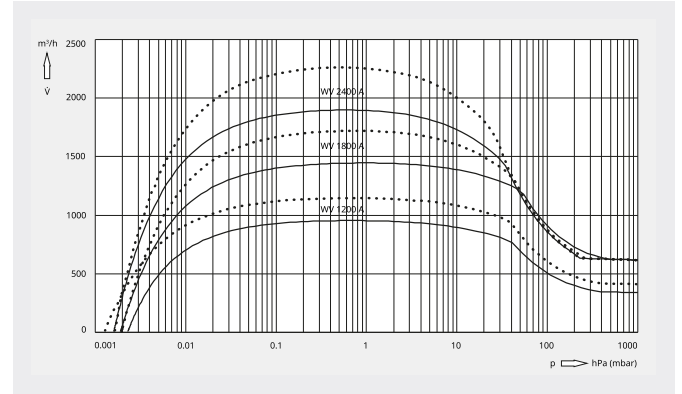
Dimensional drawing



Pumping speed

Air at 20°C. Tolerance: ± 10%

— 50 Hz ..... 60 Hz



	PANDA WV 1200 A	PANDA WV 1800 A	PANDA WV 2400 A
<b>Nominal pumping speed</b>	1050 / 1260 m³/h (50 / 60 Hz)	1600 / 1920 m³/h (50 / 60 Hz)	2120 / 2540 m³/h (50 / 60 Hz)
<b>Pumping speed</b>	950 / 1141 m³/h (50 / 60 Hz)	1443 / 1718 m³/h (50 / 60 Hz)	1920 / 2290 m³/h (50 / 60 Hz)
<b>Max. differential pressure</b>	53 hPa (mbar) (50 / 60 Hz)	53 hPa (mbar) (50 / 60 Hz)	53 hPa (mbar) (50 / 60 Hz)
<b>Nominal motor rating</b>	3.5 / 4.8 kW (50 / 60 Hz)	4.3 / 5.2 kW (50 / 60 Hz)	5.5 / 7.0 kW (50 / 60 Hz)
<b>Nominal motor speed</b>	3000 / 3600 min <sup>-1</sup> (50 / 60 Hz)	3000 / 3600 min <sup>-1</sup> (50 / 60 Hz)	3000 / 3600 min <sup>-1</sup> (50 / 60 Hz)
<b>Weight approx.</b>	290 kg	300 kg	520 kg
<b>Dimensions (L x W x H)</b>	1094 x 470 x 353 mm	1114 x 470 x 398 mm	1286 x 568 x 503 mm
<b>Gas inlet / outlet (vertical)</b>	DN 160 ISO / DN 100 ISO	DN 160 ISO / DN 100 ISO	DN 160 ISO / DN 160 ISO

PANDA WV 1200 A: pumping speed with COBRA NC 0400 as backing pump  
 PANDA WV 1800/2400 A: pumping speed with COBRA NC 0630 as backing pump

## DO YOU WANT TO KNOW MORE?

Get in touch with us directly!  
[sales@busch.co.za](mailto:sales@busch.co.za) or +27 (0)11 856 0650



CONTACT FORM



CALL NOW