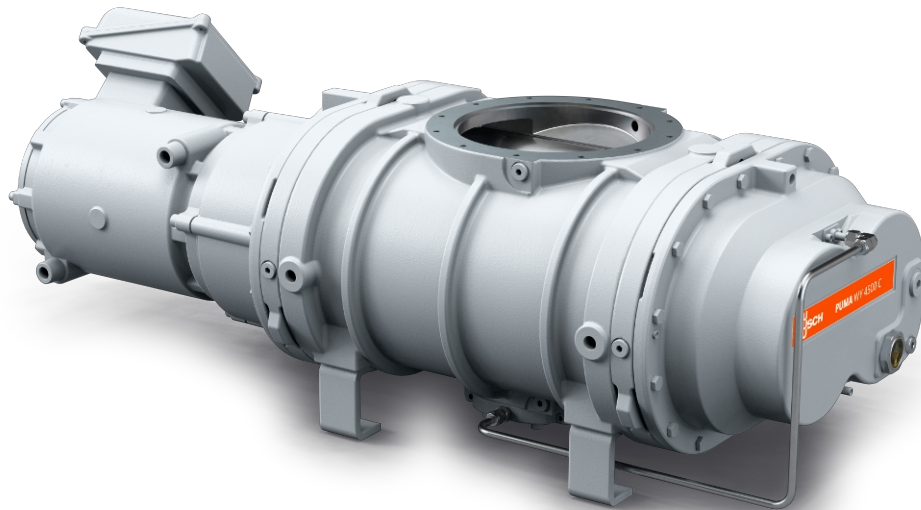


# PUMA WY 2000/4500 C

Vacuum boosters



VACUUM SOLUTIONS



## Reliable

Solid lobe design, robust construction made of GGG40 material, leak-tight, reliable under varying operating conditions

## High performance

Excellent volumetric efficiency, increases the performance of a vacuum system by up to a factor of ten, specially designed for medium and high vacuum including semiconductor applications

## Flexible

Can be flanged directly on the system at any position, boosts the performance of all types of backing pumps

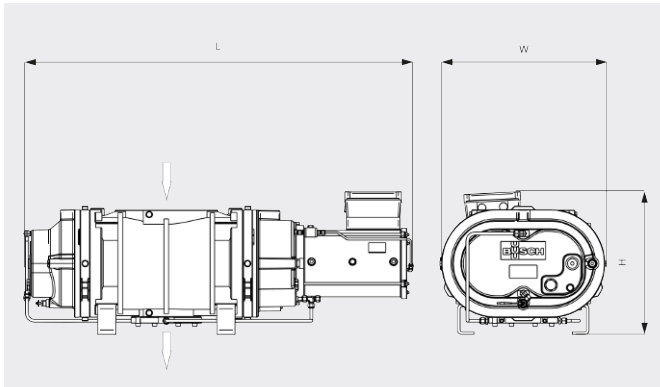
# PUMA WY 2000/4500 C

Vacuum boosters



VACUUM SOLUTIONS

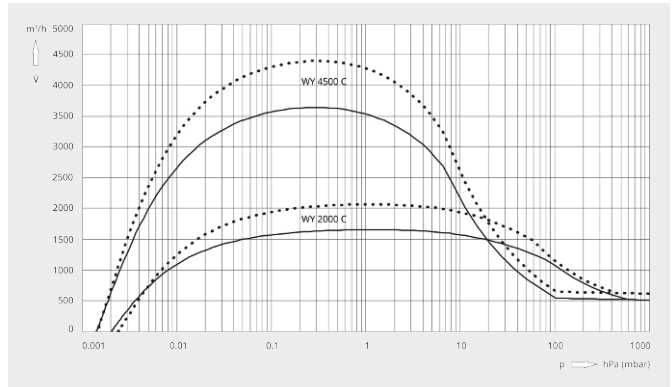
Dimensional drawing



Pumping speed

Air at 20°C. Tolerance: ± 10%

— 50 Hz ..... 60 Hz



	PUMA WY 2000 C	PUMA WY 4500 C
Nominal pumping speed	2010 / 2435 m³/h (50 / 60 Hz)	4500 / 5400 m³/h (50 / 60 Hz)
Pumping speed	1655 / 2066 m³/h (50 / 60 Hz)	3642 / 4397 m³/h (50 / 60 Hz)
Max. differential pressure	50 hPa (mbar) (50 / 60 Hz)	30 hPa (mbar) (50 / 60 Hz)
Nominal motor rating	5.5 / 6.6 kW (50 / 60 Hz)	15 kW (50 / 60 Hz)
Nominal motor speed	3000 / 3600 min⁻¹ (50 / 60 Hz)	3000 / 3600 min⁻¹ (50 / 60 Hz)
Weight approx.	280 kg	600 kg
Leakage rate	< 1 · 10⁻⁶ mbar · l/s	< 1 · 10⁻⁶ mbar · l/s
Dimensions (L x W x H)	936 x 390 x 270 mm	1283 x 543 x 476 mm
Gas inlet / outlet	DN 160 ISO / DN 160 ISO	DN 250 ISO / DN 100 ISO

## DO YOU WANT TO KNOW MORE?

Get in touch with us directly!  
[sales@busch.co.za](mailto:sales@busch.co.za) or +27 (0)11 856 0650



CONTACT FORM



CALL NOW