

TAPIR HL 1102 A

Leak detector



Portable

Compact, retractable handle, lightweight, integrated detachable control panel, can be operated at any position

High performance

Highly sensitive leak detection, minimum detectable leakage rate of $5 \cdot 10^{-13}$ Pa · m³/s, for almost all applications, spray test and sniffing leak detection with helium or hydrogen

Control and monitoring

High definition color display for maximum readability, intuitive menu navigation, SD memory card for saving and downloading all relevant data, customizable parameter settings

Accessories

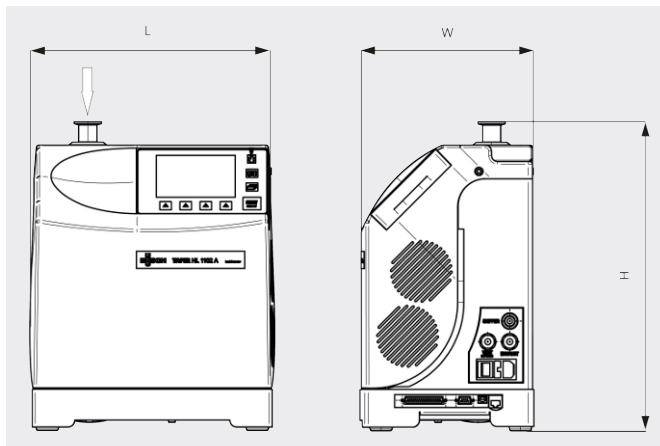
- Helium spray gun kit
- Sniffing probe
- Transport trolley
- Transport box
- Power connection, 2.5 m, UK

TAPIR HL 1102 A

Leak detector



Dimensional drawing



TAPIR HL 1102 A	
Pumping speed for helium	1.1 l/s
Response time (sniffing leak detection)	< 1 s
Minimum detectable leakage rate for helium (spray test)	$5 \cdot 10^{-13} \text{ Pa} \cdot \text{m}^3/\text{s}$
Minimum detectable leakage rate for helium (sniffing leak detection)	$1 \cdot 10^{-8} \text{ Pa} \cdot \text{m}^3/\text{s}$
Detectable gases	^4He ; ^3He ; H_2
Test method	Spray test and sniffing leak detection
Start-up time (20 °C) with calibration	< 3.5 min
Start-up time (20 °C) without calibration	< 2 min
Backing pump	Diaphragm vacuum pump
Pumping speed of backing pump (50 Hz)	1.7 m ³ /h
Max. power consumption	300 W
Power supply	90–240 V (50/60 Hz)
I/O interfaces	RS-232; standard 15 pins I/O
Operating temperature (sniffing test)	10–40 °C
Operating temperature (spray test)	10–40 °C

TAPIR HL 1102 A

Leak detector



TAPIR HL 1102 A	
Noise level (ISO 2151)	< 45 dB(A)
Weight approx.	21 kg
User interface	Color touch screen (detachable)
Dimensions (L x W x H)	350 x 254 x 415 mm
Connecting flange	DN 25 ISO-KF

DO YOU WANT TO KNOW MORE?

Get in touch with us directly!
sales@busch.co.za or +27 (0)11 856 0650



CONTACT FORM



CALL NOW