

# ZEBRA RH 0030-0090 B

Two-stage oil-lubricated rotary vane vacuum pumps



VACUUM SOLUTIONS



## Reliable

Specially designed for a wide range of applications in the medium vacuum range, robust construction, proven rotary vane vacuum technology

## High performance

Stable pumping speed even in low pressure range

## Quiet

Perfectly suited for research labs and low-noise working environments, only 60 dB(A) at 50 Hz

### Accessories

- Inlet filter
- Oil mist separator
- Oil return line
- Gas-ballast valve

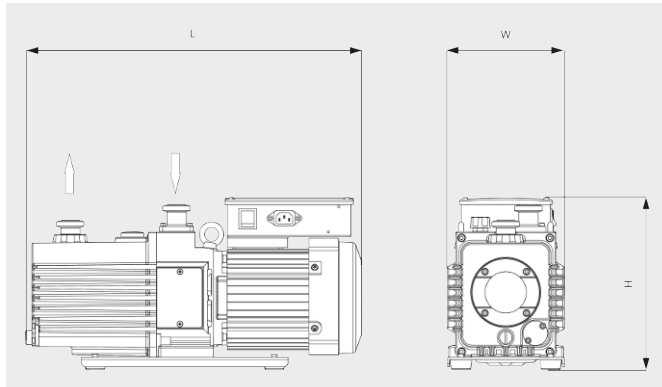
# ZEBRA RH 0030-0090 B

Two-stage oil-lubricated rotary vane vacuum pumps



VACUUM SOLUTIONS

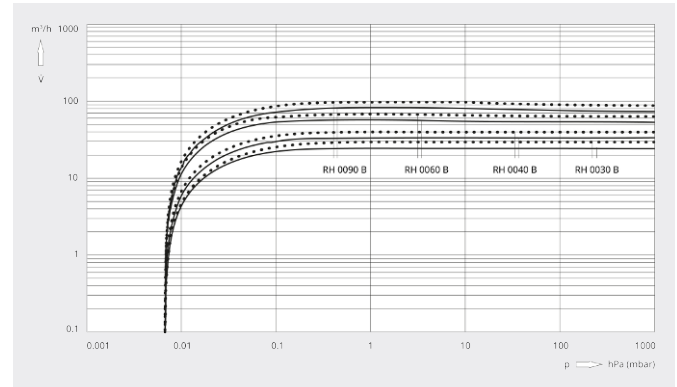
Dimensional drawing



Pumping speed

Air at 20°C. Tolerance: ± 10%

— 50 Hz ..... 60 Hz



|   | ZEBRA RH 0030 B   | ZEBRA RH 0040 B   | ZEBRA RH 0060 B   | ZEBRA RH 0090 B   |
|---|---|---|---|---|
| <b>Pumping speed</b>  | 24 / 29 m³/h (50 / 60 Hz)   | 33 / 39 m³/h (50 / 60 Hz)   | 55 / 65 m³/h (50 / 60 Hz)   | 80 / 95 m³/h (50 / 60 Hz)   |
| <b>Pumping speed</b>  | 400 / 483 l/min (50 / 60 Hz)                                      | 550 / 650 l/min (50 / 60 Hz)                                      | 917 / 1083 l/min (50 / 60 Hz)                                     | 1333 / 1583 l/min (50 / 60 Hz)                                    |
| <b>Ultimate partial pressure (gas-ballast valve closed)</b> | 6.7 · 10 <sup>-4</sup> hPa (mbar)                                 | 6.7 · 10 <sup>-4</sup> hPa (mbar)                                 | 6.7 · 10 <sup>-4</sup> hPa (mbar)                                 | 6.7 · 10 <sup>-4</sup> hPa (mbar)                                 |
| <b>Ultimate total pressure (gas-ballast valve closed)</b>   | 6.7 · 10 <sup>-3</sup> hPa (mbar)                                 | 6.7 · 10 <sup>-3</sup> hPa (mbar)                                 | 6.7 · 10 <sup>-3</sup> hPa (mbar)                                 | 6.7 · 10 <sup>-3</sup> hPa (mbar)                                 |
| <b>Ultimate total pressure (gas-ballast valve open)</b>     | 2 · 10 <sup>-2</sup> hPa (mbar)                                   | 2 · 10 <sup>-2</sup> hPa (mbar)                                   | 2 · 10 <sup>-2</sup> hPa (mbar)                                   | 2 · 10 <sup>-2</sup> hPa (mbar)                                   |
| <b>Max. continuous inlet pressure</b>                       | 65 hPa (mbar)   | 65 hPa (mbar)   | 65 hPa (mbar)   | 10 hPa (mbar)   |
| <b>Max. back pressure (gauge)</b>                           | 300 hPa (mbar)  | 300 hPa (mbar)  | 300 hPa (mbar)  | 300 hPa (mbar)  |
| <b>Water vapor capacity (gas-ballast valve open)</b>        | 190 / 250 g/h (50 / 60 Hz)  | 270 / 410 g/h (50 / 60 Hz)  | 430 / 1100 g/h (50 / 60 Hz)                                       | 480 / 600 g/h (50 / 60 Hz)  |
| <b>Nominal motor rating</b>                                 | 1.5 kW  | 1.5 kW  | 2.2 kW  | 3.7 kW  |
| <b>Operating voltage</b>                                    | 200 – 240 / 380 – 415 V (50 Hz) / 200 – 240 / 380 – 460 V (60 Hz) | 200 – 240 / 380 – 415 V (50 Hz) / 200 – 240 / 380 – 460 V (60 Hz) | 200 – 240 / 380 – 415 V (50 Hz) / 200 – 240 / 380 – 460 V (60 Hz) | 200 – 240 / 380 – 415 V (50 Hz) / 200 – 240 / 380 – 460 V (60 Hz) |
| <b>Ambient temperature</b>                                  | 4 – 40 °C   | 4 – 40 °C   | 4 – 40 °C   | 4 – 40 °C   |
| <b>Oil</b>  | VMA 055   | VMA 055   | VMA 055   | VMA 055   |
| <b>Oil capacity</b>   | 2.5 l   | 2.5 l   | 4 l   | 4 l   |
| <b>Noise level (ISO 2151)</b>                               | < 57 / < 61 dB(A) (50 / 60 Hz)                                    | < 60 / < 64 dB(A) (50 / 60 Hz)                                    | < 60 / < 64 dB(A) (50 / 60 Hz)                                    | < 60 / < 66 dB(A) (50 / 60 Hz)                                    |

# ZEBRA RH 0030–0090 B

Two-stage oil-lubricated rotary vane vacuum pumps



|                        | ZEBRA RH 0030 B   | ZEBRA RH 0040 B   | ZEBRA RH 0060 B   | ZEBRA RH 0090 B  |
|------------------------|---|---|---|--|
| Weight approx.         | 58 kg   | 60 kg   | 90 kg   | 113 kg   |
| Dimensions (L x W x H) | 671 x 214 x 326 mm  | 691 x 214 x 326 mm  | 772 x 264 x 373 mm  | 831 x 264 x 373 mm   |
| Gas inlet / outlet     | ISO-KF 40 / ISO-KF 40   | ISO-KF 40 / ISO-KF 40   | ISO-KF 40 / ISO-KF 40   | ISO-K 63 / ISO-KF 40   |
| Marking                | cTUVus  | cTUVus  | cTUVus  | cTUVus   |
| Additional information | <ul style="list-style-type: none"><li>• Terminal box</li><li>• Prefilled with VMA 055 oil</li></ul> | <ul style="list-style-type: none"><li>• Terminal box</li><li>• Prefilled with VMA 055 oil</li></ul> | <ul style="list-style-type: none"><li>• Terminal box</li><li>• Prefilled with VMA 055 oil</li></ul> | <ul style="list-style-type: none"><li>• Terminal box</li><li>• Prefilled with VMA 055 oil</li><li>• Vacuum pump not intended for continuous operation at pressures &gt; 10 mbar abs.</li></ul> |

## DO YOU WANT TO KNOW MORE?

Get in touch with us directly!  
[sales@busch.co.za](mailto:sales@busch.co.za) or +27 (0)11 856 0650



CONTACT FORM



CALL NOW