

Instruction Manual

VACTEST

Vacuum Measurement Equipment
Analog Transmitter GCD 200



Get technical data,
instruction manuals,
service kits



Table of Contents

1	Safety	3
2	Product Description	4
2.1	Product Identification	4
2.2	Delivery Content	4
2.3	Proper Use	4
2.4	Improper Use	4
3	Transport and Storage	4
4	Installation	5
4.1	Installation Conditions.....	5
4.2	Vacuum Connection.....	5
4.3	Electrical Connection	7
4.3.1	I/O and Communication Port Schematic	7
5	Operation	8
5.1	Readjustment	8
5.1.1	Readjustment by Pushbutton.....	8
6	Maintenance and Service	9
7	Troubleshooting	9
8	Accessories	9
9	Technical Data	10
10	EU Declaration of Conformity	11

1 Safety

- Read and follow the instructions of this manual.
- Inform yourself regarding hazards, which can be caused by the product or arise in your system.
- Comply with all safety instructions and regulations for accident prevention.
- Check regularly that all safety requirements are being complied with.
- Take account of the ambient conditions when installing your gauge. The protection class is IP 54.
- Adhere to the applicable regulations and take the necessary precautions for the process media used.
- Consider possible reactions between materials and process media.
- Consider possible reactions of the process media due to the heat generated by the product.
- Before you start working, find out whether any of the vacuum components are contaminated.
- Adhere to the relevant regulations and take the necessary precautions when handling contaminated parts.
- Communicate the safety instructions to other users.

This instruction manual highlights potential hazards where appropriate. Safety notes and warning messages are tagged with one of the keywords DANGER, WARNING, CAUTION, NOTICE and NOTE as follows:

DANGER

... indicates an imminent dangerous situation that will result in death or serious injuries if not prevented.

WARNING

... indicates a potentially dangerous situation that could result in death or serious injuries.

CAUTION

... indicates a potentially dangerous situation that could result in minor injuries.

NOTICE

... indicates a potentially dangerous situation that could result in damage to property.

NOTE

... indicates helpful tips and recommendations, as well as information for efficient and trouble-free operation.

2 Product Description

The analog transmitter GCD 200 is a capacitive vacuum gauge providing accurate and gas type independent pressure measurements.

Equipped with a robust sensor made of aluminium oxide ceramic, this device combines high reliability and resistance to contamination.

2.1 Product Identification

The product model can be found on the product's nameplate. Technical modifications are reserved without prior notification.

2.2 Delivery Content

Included in the delivery consignment are:

- Analog transmitter GCD 200
- Protective cover
- Instruction manual

Available accessories, consult the chapter Accessories [► 9].

2.3 Proper Use

The GCD 200 serves exclusively to measure total pressure in a range of:

- 200 ... 0.1 mbar

The gauge is classified in electromagnetic interference class A and therefore can cause radio interference in living quarters.

2.4 Improper Use

The use for purposes not mentioned above is regarded as improper, especially:

- Connection to pumps or units which are not suitable for this purpose according to their operating instructions.
- Connection to units which have exposed voltage-carrying parts.
- Operation of the devices in areas with ionizing radiation.

No liability or warranty will be accepted for claims arising from improper use.

3 Transport and Storage

- Check the device for transport damage.

NOTICE

Devices without external protection.

Risk of damage to the device!

- The device must not come into contact with electrostatically chargeable materials and must not be moved within electrical or high magnetic fields.

If a storage is planned:

- Seal the vacuum flange with the protective cover.
- Comply with the storage temperatures, see technical data.
- In rooms with moist or aggressive atmospheres, the device must be airproof shrink-wrapped in a plastic bag together with a bag a desiccant.

4 Installation

CAUTION

Unauthorized modifications.

Risk to injury!

- Modifications or conversions of the gauge are not allowed.

4.1 Installation Conditions

- Make sure that the environment of the device is not potentially explosive.
- Make sure that the ambient conditions comply with the Technical Data [► 10].

4.2 Vacuum Connection

CAUTION

Unintended opening of clamp with an overpressure in the vacuum system over 1000 mbar.

Risk to injury!

Damage to your health!

- Parts may fly around.
- Unsecured hose connections can release process media.

CAUTION

Overpressure in the vacuum system over 1500 mbar

Damage to your health!

The elastomer washers cannot withstand the pressure and can release process media.

- Use sealing rings with an outer centering ring.

NOTICE

Dirt and damage at the vacuum flange.

Impair the function of the gauge!

- Make sure that the flange is clean, dry and free of grease.
- When handling the instrument, make sure that the flange is protected against dirt and damage.

- Remove the protective cover (is required again during maintenance work!).
- Connect the flange to the system.

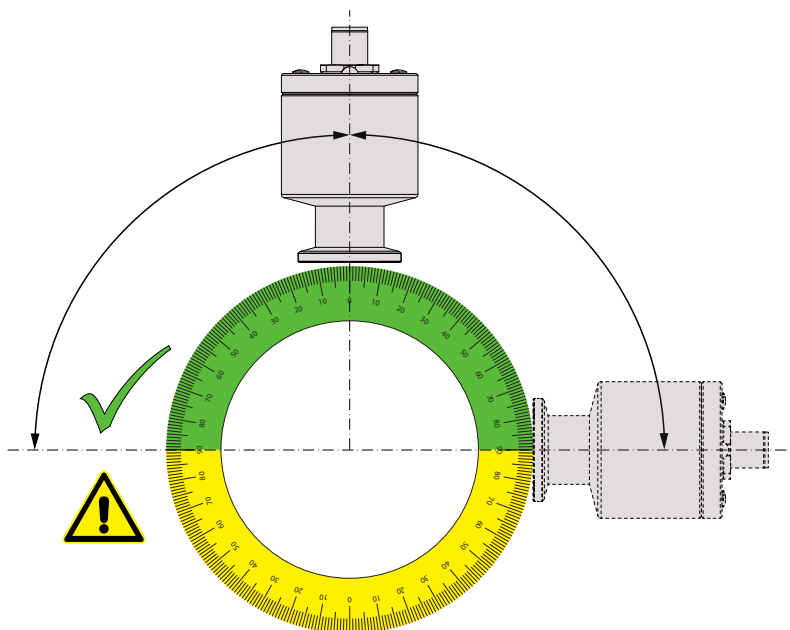
Connection size:

- ISO KF 16
- G1/4 (female)

- Make sure that the sensor flange is connected to the ground.

Mounting position:

The installation position can be freely selected. The preferred position is a horizontal to vertical position so that condensate and particles do not penetrate the measurement chamber.



4.3 Electrical Connection

! NOTICE

Establish a connection using a live cable.

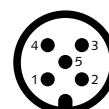
Risk of damage to the device!

- Only connect cables when de-energised.

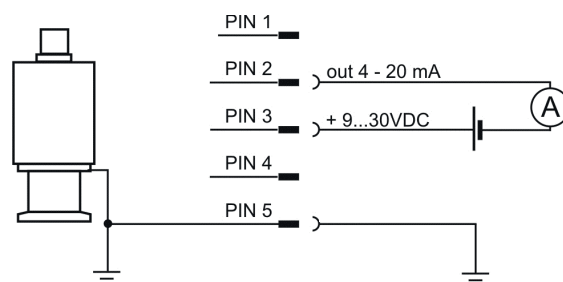
4.3.1 I/O and Communication Port Schematic

Connector:

Type M12 A, 5-pin, male



Pin no.	Description	Pin no.	Description
1	N/A (do not connect)	2	Output 4 ... 20 mA
3	Power Supply: +9 to +30 VDC	4	N/A (do not connect)
5	Ground		



! NOTICE

Incorrect supply voltage.

Risk of damage to the device!

- Make sure to supply a correct and admissible voltage.

i NOTE

Maximum admissible load resistor in Ω :

(supply voltage (V) – 9 V) / 0.02 A

5 Operation

5.1 Readjustment

The gauge is factory calibrated in upright position. Other orientations, different climatic conditions, extreme temperature changes, ageing or contamination may necessitate re-adjustment.

i NOTE

Conduct adjustment at the same ambient temperature at which the device is typically operated.

i NOTE

For zero adjustment actual pressure should be less than 0.01 mbar.

i NOTE

To achieve optimum results of the adjustment we recommend to consider a warm-up of at least 10 minutes at the appropriate calibration pressure before any adjustment.

5.1.1 Readjustment by Pushbutton

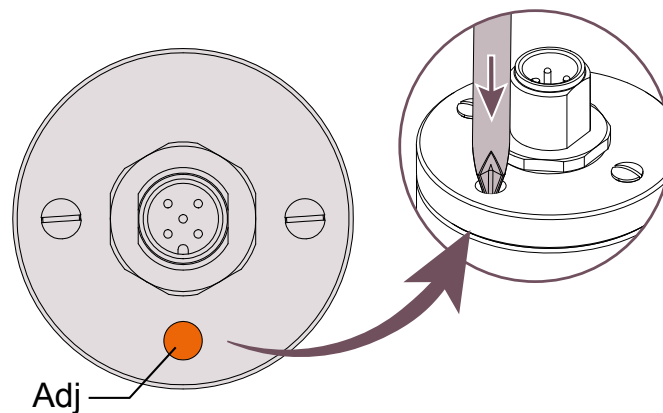
Readjustment on atmosphere or zero pressure can be done by means of the “Adj” pushbutton of the gauge. The gauge will notice automatically which adjustment point is relevant.

The adjustment at zero pressure is an offset compensation of the measurement signal.

i NOTE

For zero adjustment, real pressure must be less than 0.01 mbar. An adjustment at zero pressure is possible only if the pressure reading is within 15 mbar of zero.

The output signal at zero pressure should equal 4.000 mA.



- Remove the rubber cap above the “Adj” pushbutton.
- Press the button “Adj” by means of a small screwdriver or similar tool to adjust the gauge.
- Reinsert the rubber cap.

6 Maintenance and Service



WARNING

Units contaminated with hazardous material.

Risk of poisoning!

Risk of infection!

If the unit is contaminated with hazardous material:

- Wear appropriate personal protective equipment.

The device requires no maintenance. External dirt and soiling can be removed by a damp cloth.

Should a defect or damage occur on the device, please send the unit to us for repair and fulfil the declaration of decontamination downloadable from www.buschvacuum.com.

NOTE

Malfunction of the unit, which is caused by contamination or wear and tear is not covered by warranty.

7 Troubleshooting

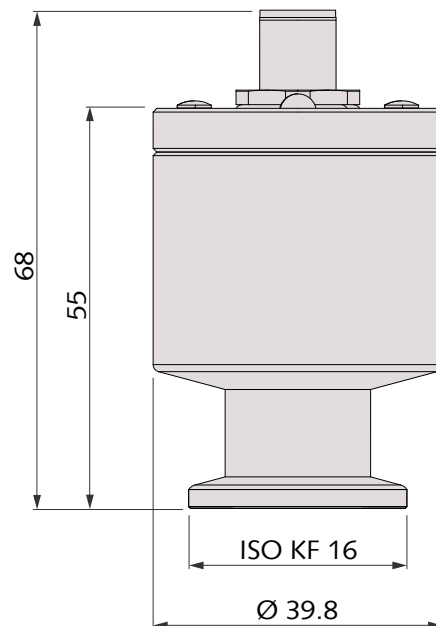
Problem	Possible Cause	Remedy
High measurement error.	Contamination, ageing, extreme temperature.	• Send unit for repair.
Output signal < 3.6 mA Output signal > 22 mA	Defective unit or sensor.	• Send unit for repair.

8 Accessories

Accessory	Description	Part no.
Mating plug	4 ... 20 mA	0680 204 573

9 Technical Data

		VacTest GCD 200
Measurement principle		Capacitive
Materials exposed to vacuum		Stainless steel 1.4305, Al ₂ O ₃ ceramic, FKM
Measuring range	mbar	200 ... 0.1
	torr	150 ... 0.075
Overpressure limit	bar abs.	6
Measurement uncertainty	% full scale	< 0.25 %
Leakage rate	mbar l/s	< 5 x 10 ⁻¹⁰
Reaction time	ms	< 120
Electrical Connection		M12 A, 5-pin
Supply voltage	V	9 ... 30
Max. power consumption	W	0.6
Output signal		4 ... 20 mA
Output function		0.08 x p _{mbar} + 4 = out (mA)
Error		< 3.6 mA; > 22 mA
Operating Temperature	°C	+5 ... +60
Storage Temperature	°C	-40 ... +70
Relative Humidity:		5 ... 80%, not condensing
Protection Class		IP 54
Weight	g	170



10 EU Declaration of Conformity

This Declaration of Conformity and the CE-mark affixed to the nameplate are valid for the gauge within the Busch scope of delivery. This Declaration of Conformity is issued under the sole responsibility of the manufacturer.

The manufacturer

Busch Produktions GmbH
Schauinslandstr. 1
DE-79689 Maulburg

declare that the gauge VacTest GCD 200

has been manufactured in accordance with the European Directives:

- 'Electromagnetic Compatibility (EMS) ' 2014/30/EU
- 'RoHS' 2011/65/EU, restriction of the use of certain hazardous substances in electrical and electronic equipment

and following the standards.

Standard	Title of the Standard
EN 61326-1:2013 Group 1 / Class B	Electrical equipment for measurement, control and laboratory use. EMC requirements. General requirements
EN 50581:2012	Technical documentation for the assessment of electrical and electronic products with respect to the restriction of hazardous substances

Person authorised to compile the technical file:

Gerd Rohweder
 Busch Dienste GmbH
 Schauinslandstr. 1
 DE-79689 Maulburg

Maulburg, 24.08.2017



Martin Gutmann, General director

Busch

Vacuum Solutions

We shape vacuum for you.

Argentina

info@busch.com.ar

Australia

sales@busch.com.au

Austria

busch@busch.at

Bangladesh

sales@busch.com.bd

Belgium

info@busch.be

Brazil

vendas@buschdobrasil.com.br

Canada

info@busch.ca

Chile

info@busch.cl

China

info@busch-china.com

Colombia

info@buschvacuum.co

Czech Republic

info@buschvacuum.cz

Denmark

info@busch.dk

Finland

info@busch.fi

France

busch@busch.fr

Germany

info@busch.de

Hungary

busch@buschvacuum.hu

India

sales@buschindia.com

Ireland

sales@busch.ie

Israel

service_sales@busch.co.il

Italy

info@busch.it

Japan

info@busch.co.jp

Korea

busch@busch.co.kr

Malaysia

busch@busch.com.my

Mexico

info@busch.com.mx

Netherlands

info@busch.nl

New Zealand

sales@busch.co.nz

Norway

post@busch.no

Peru

info@busch.com.pe

Poland

busch@busch.com.pl

Portugal

busch@busch.pt

Romania

office@buschromania.ro

Russia

info@busch.ru

Singapore

sales@busch.com.sg

South Africa

info@busch.co.za

Spain

contacto@buschiberica.es

Sweden

info@busch.se

Switzerland

info@buschag.ch

Taiwan

service@busch.com.tw

Thailand

info@busch.co.th

Turkey

vakutek@ttmail.com

United Arab Emirates

sales@busch.ae

United Kingdom

sales@busch.co.uk

USA

info@buschusa.com