

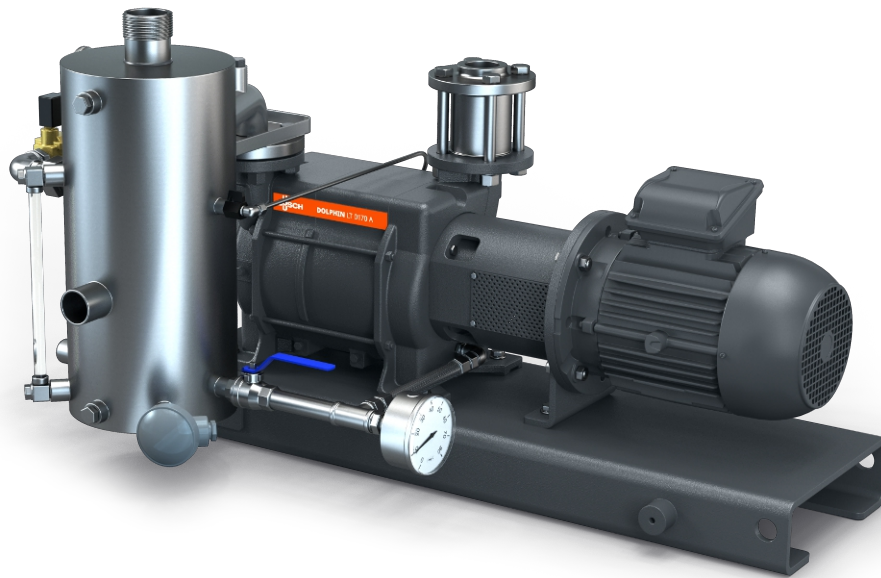
# DOLPHIN VL 0530-0800 A

## Partial Recirculation

Liquid ring vacuum pump units



VACUUM SOLUTIONS



### Robust

Proven technology, reliable operation, corrosion-free stainless steel impeller, extremely high vapor and particle tolerance, part of the operating fluid is recirculated, fresh liquid introduced in sufficient quantity to maintain proper temperature

### All-in-One

Unit with base frame, operating fluid separator, control system, including inlet check valve, fresh liquid supply kit, level indicator with switches, temperature and pressure indicators and cavitation protection

### Flexible

Choice of cast iron (EN-GJL-200) or 316 grade stainless steel material housings, ATEX-certified version available (Cat. 1 (i/o) IIC, T4), operating fluids other than water possible

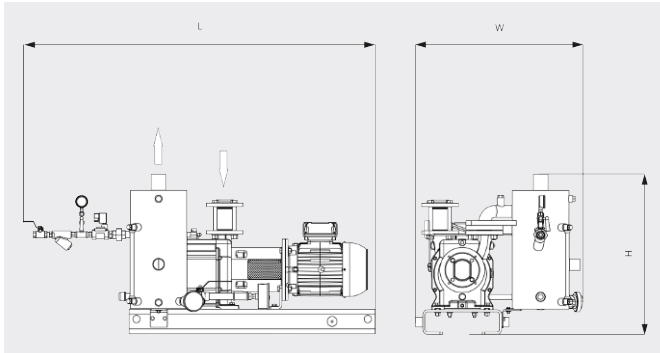
# DOLPHIN VL 0530-0800 A Partial Recirculation

Liquid ring vacuum pump units

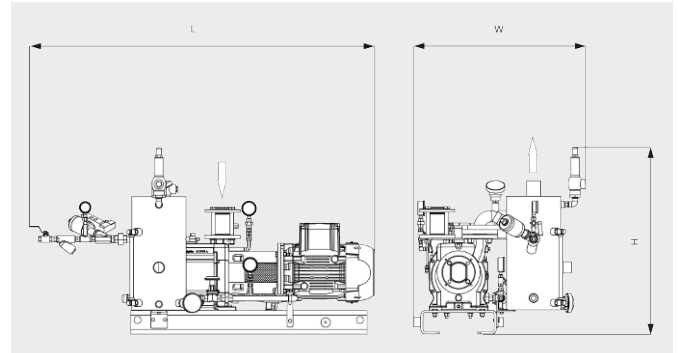


VACUUM SOLUTIONS

Dimensional drawing



Dimensional drawing



|                               | DOLPHIN VL 0530 A Partial Recirculation               | DOLPHIN VL 0800 A Partial Recirculation               |
|-------------------------------|---|---|
| <b>Nominal pumping speed</b>  | 405 / 551 m <sup>3</sup> /h (50 / 60 Hz)              | 722 / 867 m <sup>3</sup> /h (50 / 60 Hz)              |
| <b>Ultimate pressure</b>      | 130 hPa (mbar) (50 / 60 Hz)                           | 130 hPa (mbar) (50 / 60 Hz)                           |
| <b>Nominal motor rating</b>   | 11.0 / 15.0 kW (50 / 60 Hz)                           | 18.5 / 22.0 kW (50 / 60 Hz)                           |
| <b>Weight approx.</b>         | 450 / 526 kg (Safe / ATEX)                            | 529 / 621 kg (Safe / ATEX)                            |
| <b>Dimensions (L x W x H)</b> | 1521 x 870 x 947 / 1564 x 936 x 1066 mm (Safe / ATEX) | 1675 x 955 x 962 / 1671 x 955 x 1243 mm (Safe / ATEX) |
| <b>Gas inlet / outlet</b>     | G 2" / R 3"   | G 2½" / R 4"  |

## DO YOU WANT TO KNOW MORE?

Get in touch with us directly!  
[sales@busch.co.za](mailto:sales@busch.co.za) or +27 (0)11 856 0650



CONTACT FORM



CALL NOW