

SECO SD 1010–1040 C/D

Dry-running rotary vane compressors



Discover all advantages of
the product series SECO SD

Compact

Direct-drive construction

Reliable

Robust construction, proven performance, self-lubricating vanes, no operating fluids

High performance

High performance Aerodur 274 Zirkon vanes, extended lifetime, extremely resistant to wear and humidity

Accessories

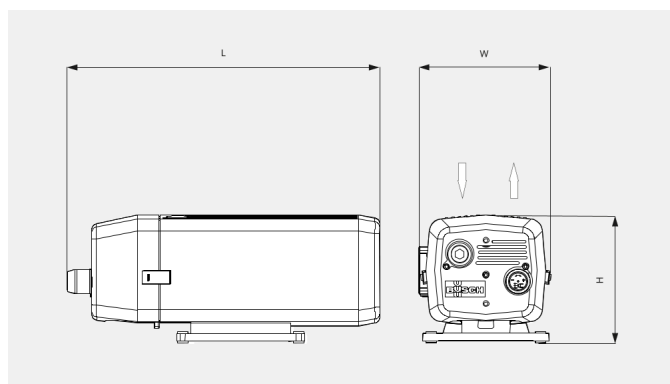
- Inlet filter
- Non-return valve (exhaust)
- Hose nipple
- Pressure relief valve

SECO SD 1010–1040 C/D

Dry-running rotary vane compressors

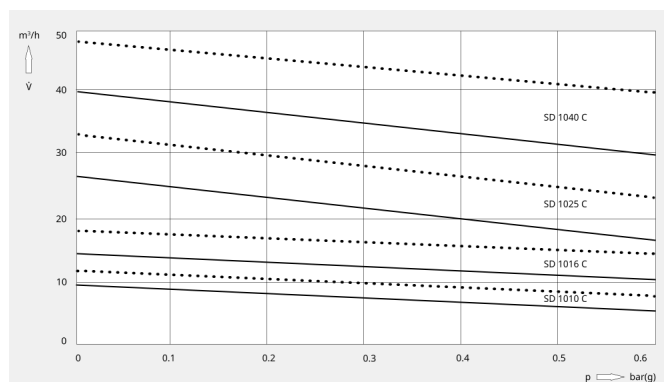


Dimensional drawing



Volume flow

Air at 20 °C. Tolerance: ± 10%



The following technical values refer to ISO 50 Hz

	SECO SD 1010 C	SECO SD 1016 C	SECO SD 1025 C	SECO SD 1040 D
Volume flow	9 m³/h	15 m³/h	26 m³/h	40 m³/h
Overpressure	0.6 bar(g)	0.6 bar(g)	0.6 bar(g)	0.6 bar(g)
Nominal motor rating	0.37 kW	0.55 kW	0.9 kW	1.25 kW
Nominal motor speed	1500 min ⁻¹	1500 min ⁻¹	1500 min ⁻¹	1500 min ⁻¹
Noise level (ISO 2151)	56 dB(A)	57 dB(A)	64 dB(A)	67 dB(A)
Weight approx.	21 kg	25 kg	33 kg	38 kg
Dimensions (L x W x H)	413 x 239 x 224 mm	440 x 239 x 224 mm	499 x 253 x 246 mm	554 x 257 x 246 mm
Gas inlet	G ½"	G ½"	G ¾"	G ¾"
Gas outlet	G ½"	G ½"	G ¾"	G ¾"

The following technical values refer to ISO 60 Hz

	SECO SD 1010 C	SECO SD 1016 C	SECO SD 1025 C	SECO SD 1040 D
Volume flow	12 m³/h	18 m³/h	33 m³/h	48 m³/h
Overpressure	0.6 bar(g)	0.6 bar(g)	0.6 bar(g)	0.6 bar(g)
Nominal motor rating	0.37 kW	0.55 kW	0.9 kW	1.25 kW

SECO SD 1010–1040 C/D

Dry-running rotary vane compressors



VACUUM SOLUTIONS

	SECO SD 1010 C	SECO SD 1016 C	SECO SD 1025 C	SECO SD 1040 D
Nominal motor speed	1800 min ⁻¹	1800 min ⁻¹	1800 min ⁻¹	1800 min ⁻¹
Noise level (ISO 2151)	58 dB(A)	60 dB(A)	66 dB(A)	70 dB(A)
Weight approx.	21 kg	25 kg	33 kg	38 kg
Dimensions (L x W x H)	413 x 239 x 224 mm	440 x 239 x 224 mm	499 x 253 x 246 mm	554 x 257 x 246 mm
Gas inlet	G ½"	G ½"	G ¾"	G ¾"
Gas outlet	G ½"	G ½"	G ¾"	G ¾"

DO YOU WANT TO KNOW MORE

Please contact us!
info@buschusa.com or +1-800-USA-PUMP (872-7867)



CONTACT FORM



CALL US NOW