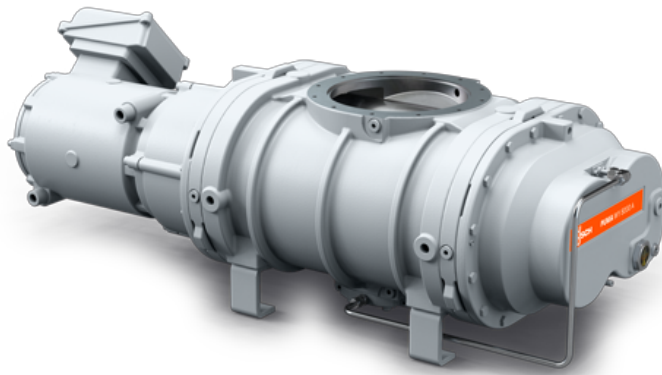


# PUMA WY 8000 A

Vacuum booster



Discover all advantages of  
the product series PUMA WY

## Reliable

Special lobe design to prevent powder and particle deposits, robust construction made of GGG40 material, leak-tight

## High performance

Specially designed for harsh applications in the medium and high vacuum range, including semiconductor processes with powder and dust, excellent volumetric efficiency

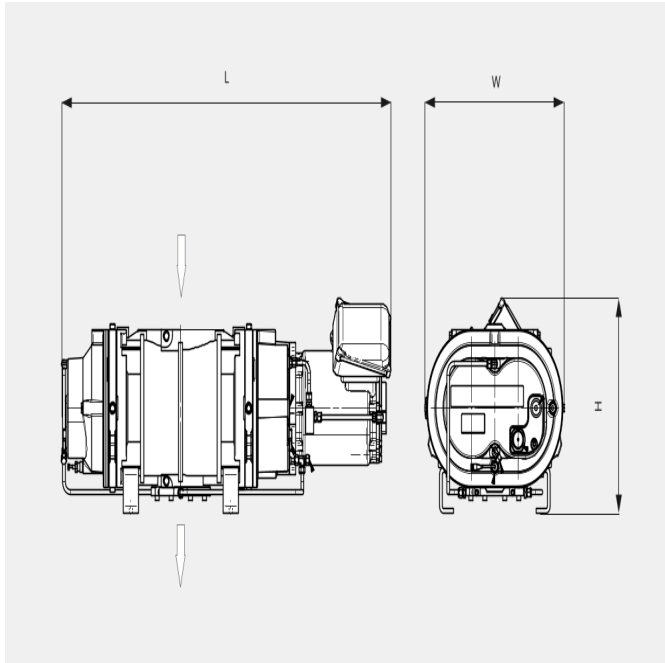
## Flexible

Reliable performance under varying operating conditions, boosts the performance of all types of backing pumps

# PUMA WY 8000 A

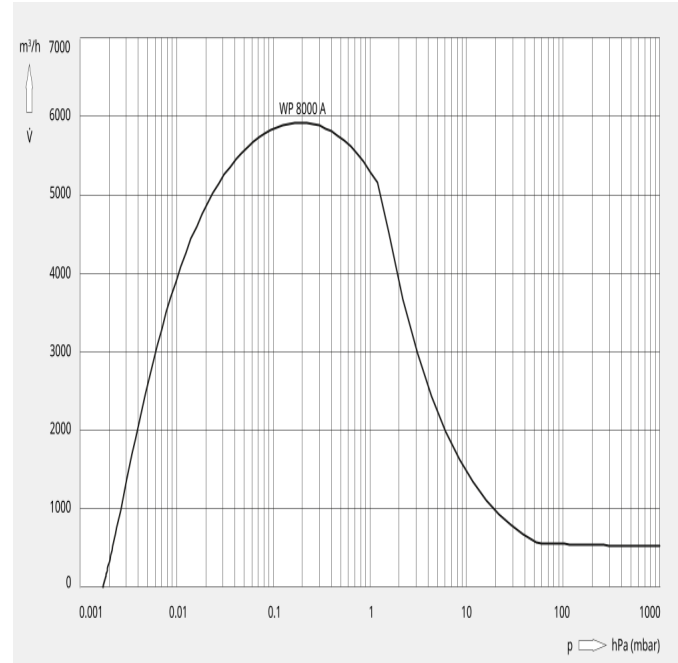
Vacuum booster

## Dimensional drawing



## Pumping speed

Air at 20 °C. Tolerance: ± 10%



The following technical values refer to ISO 50 Hz

PUMA WY 8000 A	
Nominal pumping speed	8100 m³/h
Pumping speed	5920 m³/h
Max. differential pressure	15 hPa (mbar)
Nominal motor rating	11 kW
Nominal motor speed	5400 min <sup>-1</sup>
Weight approx.	515 kg
Leakage rate	< 1 · 10 <sup>-6</sup> mbar · l/s
Dimensions (L x W x H)	1283 x 543 x 475
Gas inlet	DN 250 ISO

# PUMA WY 8000 A

Vacuum booster



VACUUM SOLUTIONS

PUMA WY 8000 A	
Gas outlet	DN 100 ISO

The following technical values refer to ISO 60 Hz

PUMA WY 8000 A	
Nominal pumping speed	8100 m <sup>3</sup> /h
Pumping speed	5920 m <sup>3</sup> /h
Max. differential pressure	15 hPa (mbar)
Nominal motor rating	11 kW
Nominal motor speed	5400 min <sup>-1</sup>
Weight approx.	515 kg
Leakage rate	< 1 · 10 <sup>-6</sup> mbar · l/s
Dimensions (L x W x H)	1283 x 543 x 475
Gas inlet	DN 250 ISO
Gas outlet	DN 100 ISO

## DO YOU WANT TO KNOW MORE

Please contact us!  
[info@buschusa.com](mailto:info@buschusa.com) or +1-800-USA-PUMP



CONTACT FORM



CALL US NOW