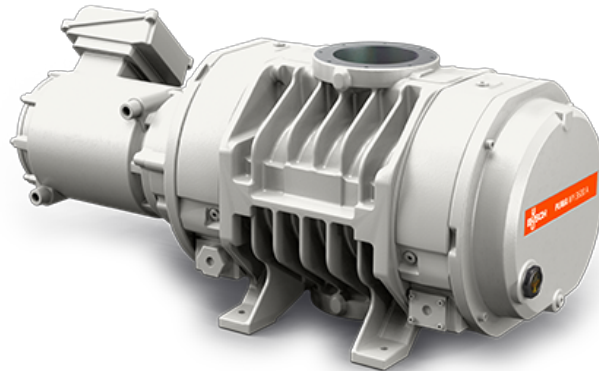


PUMA WY 3600 A

Vacuum booster



Discover all advantages of
the product series PUMA WY

Reliable

Special lobe design to prevent powder and particle deposits, robust construction made of GGG40 material, leak-tight

High performance

Specially designed for harsh applications in the medium and high vacuum range, including semiconductor processes with powder and dust, excellent volumetric efficiency

Flexible

Reliable performance under varying operating conditions, boosts the performance of all types of backing pumps

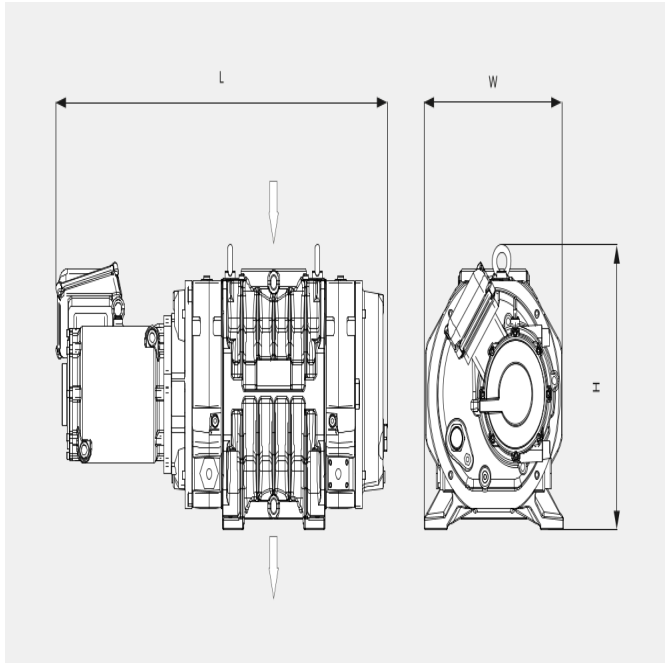
PUMA WY 3600 A

Vacuum booster



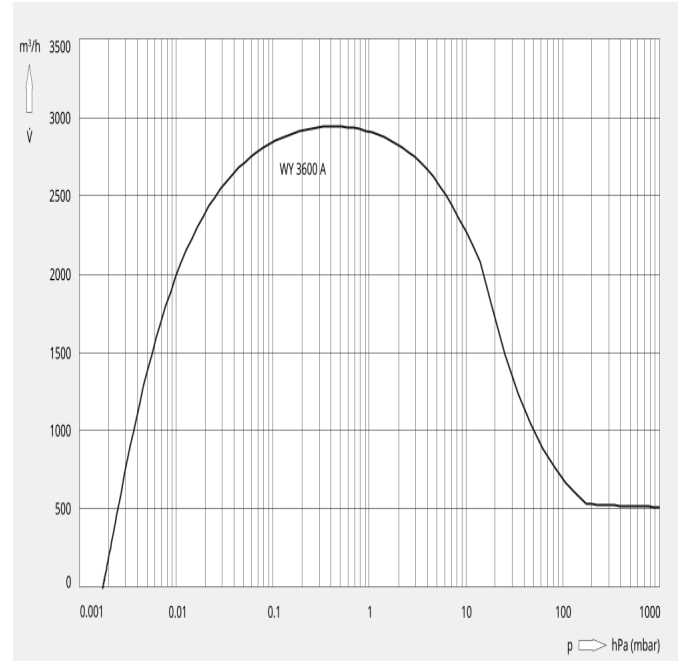
VACUUM SOLUTIONS

Dimensional drawing



Pumping speed

Air at 20 °C. Tolerance: ± 10%



The following technical values refer to ISO 50 Hz

PUMA WY 3600 A	
Nominal pumping speed	3600 m³/h
Pumping speed	2945 m³/h
Max. differential pressure	30 hPa (mbar)
Nominal motor rating	15 kW
Nominal motor speed	5400 min ⁻¹
Weight approx.	500 kg
Leakage rate	< 1 · 10 ⁻⁶ mbar · l/s
Dimensions (L x W x H)	1139 x 524 x 480
Gas inlet	DN 160 ISO

PUMA WY 3600 A

Vacuum booster



PUMA WY 3600 A	
Gas outlet	DN 160 ISO

The following technical values refer to ISO 60 Hz

PUMA WY 3600 A	
Nominal pumping speed	3600 m ³ /h
Pumping speed	3040 m ³ /h
Max. differential pressure	30 hPa (mbar)
Nominal motor rating	15 kW
Nominal motor speed	5400 min ⁻¹
Weight approx.	500 kg
Leakage rate	< 1 · 10 ⁻⁶ mbar · l/s
Dimensions (L x W x H)	1139 x 524 x 480
Gas inlet	DN 160 ISO
Gas outlet	DN 160 ISO

DO YOU WANT TO KNOW MORE

Please contact us!
info@buschusa.com or +1-800-USA-PUMP



CONTACT FORM



CALL US NOW