

MINK MM 1104/1102 CVM

Dry claw vacuum pumps



Discover all advantages of
the product series MINK MM

Reliable

More than 50,000 MINK vacuum pumps in operation in milking robots and plants, proven dry claw vacuum technology, no operating fluids, nearly maintenance-free, long service life

Efficient

Up to 25% energy savings compared to conventional vacuum generators used for milking robots and plants

Flexible

Wide frequency range from 10 to 60 Hz

Accessories

- 1104 CVM with stainless steel silencer
- 1102 CVM with cast iron silencer

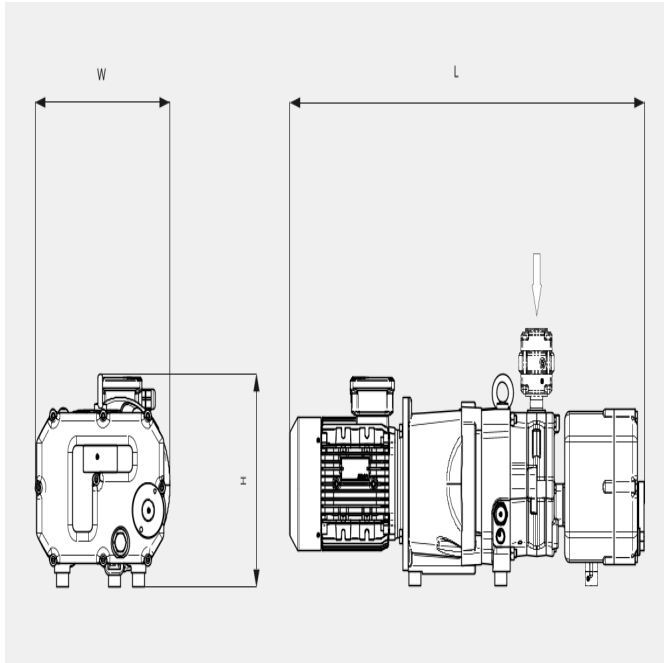
MINK MM 1104/1102 CVM

Dry claw vacuum pumps



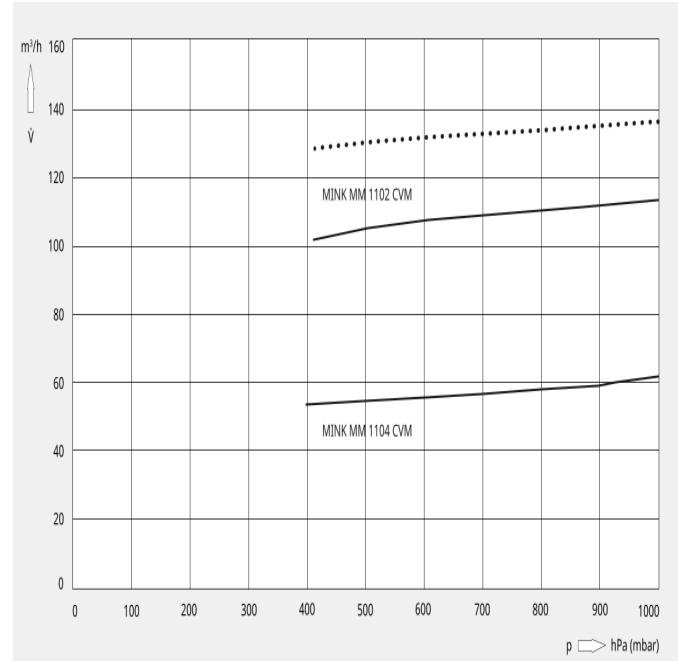
VACUUM SOLUTIONS

Dimensional drawing



Pumping speed

Air at 20 °C. Tolerance: ± 10%



The following technical values refer to ISO 50 Hz

	MINK MM 1104 CVM	MINK MM 1102 CVM (50 Hz)	MINK MM 1102 CVM
Nominal pumping speed	62 m³/h	110 m³/h	110 m³/h
Ultimate pressure	400 hPa (mbar)	400 hPa (mbar)	400 hPa (mbar)
Nominal motor rating	1.3 kW	2.2 kW	3.0 kW
Nominal motor speed	1500 min ⁻¹	3000 min ⁻¹	3000 min ⁻¹
Noise level (ISO 2151)	72 dB(A)	70 dB(A)	73 dB(A)
Oil capacity	0.5 l	0.5 l	0.5 l
Weight approx.	78 kg	140 kg	140 kg
Dimensions (L x W x H)	771 x 428 x 306 mm	898 x 339 x 301 mm	898 x 339 x 301 mm

MINK MM 1104/1102 CVM

Dry claw vacuum pumps



VACUUM SOLUTIONS

The following technical values refer to ISO 60 Hz

	MINK MM 1104 CVM	MINK MM 1102 CVM (50 Hz)	MINK MM 1102 CVM
Nominal pumping speed	- m ³ /h	- m ³ /h	135 m ³ /h
Ultimate pressure	- hPa (mbar)	- hPa (mbar)	400 hPa (mbar)
Nominal motor rating	- kW	- kW	3.4 kW
Nominal motor speed	- min ⁻¹	- min ⁻¹	3600 min ⁻¹
Noise level (ISO 2151)	- dB(A)	- dB(A)	77 dB(A)
Oil capacity	- l	- l	0.5 l
Weight approx.	- kg	- kg	140 kg
Dimensions (L x W x H)	- x - x - mm	- x - x - mm	898 x 339 x 301 mm

DO YOU WANT TO KNOW MORE

Please contact us!
info@buschusa.com or +1-800-USA-PUMP



CONTACT FORM



CALL US NOW