

# MINK MH 0040 A

Hydrogen recirculation blower



Discover all advantages of  
the product series MINK MH

## Flexible

Integrated variable speed drive for easy adaptation of volume flow to different process requirements

## H#-proven

Specially designed to run with humid hydrogen as process gas

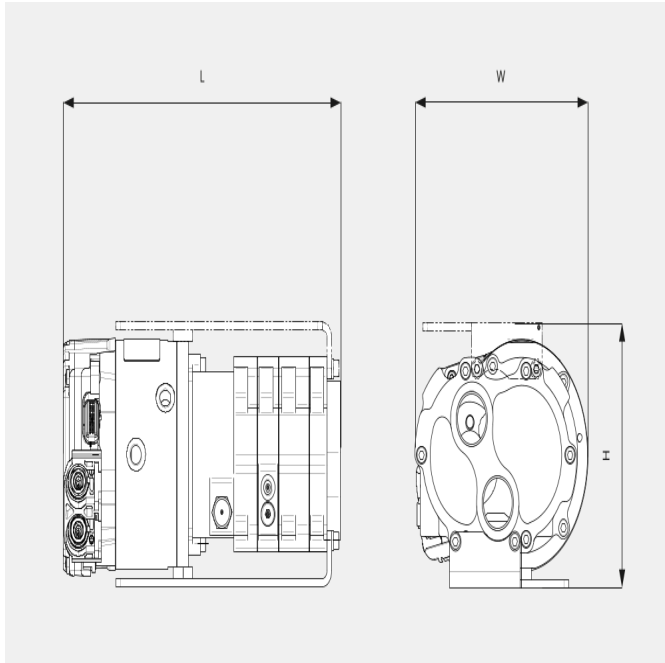
## Hermetically tight

Magnetic coupling for high inlet pressures

# MINK MH 0040 A

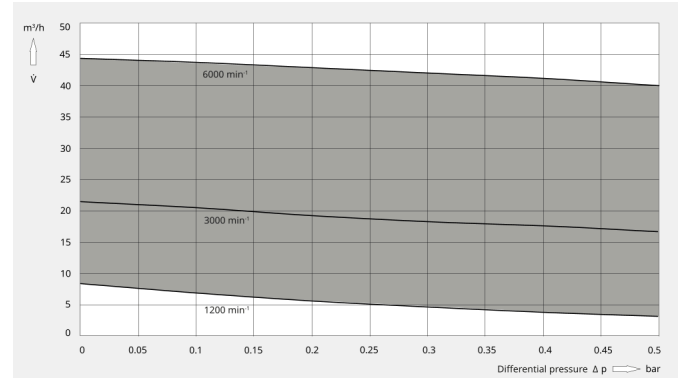
Hydrogen recirculation blower

## Dimensional drawing



## Volume flow (at inlet)

Air at 20 °C. Tolerance: ± 10%



The following technical values refer to ISO 50 Hz

MINK MH 0040 A	
Volume flow (at inlet)	40 m³/h
Overpressure (bar(a))	1–3 bar(a)
Overpressure (bar(g))	3.0 bar(g)
Differential pressure	max. 0.5 bar
Leakage rate	< 10 Ncm³/h
Nominal motor rating	1.0 kW
Nominal motor speed	1200 – 6000 min <sup>-1</sup>
Noise level (ISO 2151)	67 dB(A)
Oil capacity	0.09 l

# MINK MH 0040 A

Hydrogen recirculation blower



MINK MH 0040 A	
Weight approx.	11 kg
Dimensions (L x W x H)	293 x 183 x 150 mm
Gas inlet	G 1"
Gas outlet	G 1"

The following technical values refer to ISO 60 Hz

MINK MH 0040 A	
Volume flow (at inlet)	40 m <sup>3</sup> /h
Overpressure (bar(a))	1–3 bar(a)
Overpressure (bar(g))	3.0 bar(g)
Differential pressure	max. 0.5 bar
Leakage rate	< 10 Ncm <sup>3</sup> /h
Nominal motor rating	1.0 kW
Nominal motor speed	1200 – 6000 min <sup>-1</sup>
Noise level (ISO 2151)	67 dB(A)
Oil capacity	0.09 l
Weight approx.	11 kg
Dimensions (L x W x H)	293 x 183 x 150 mm
Gas inlet	G 1"
Gas outlet	G 1"

## DO YOU WANT TO KNOW MORE

Please contact us!  
[info@buschusa.com](mailto:info@buschusa.com) or +1-800-USA-PUMP (872-7867)



CONTACT FORM



CALL US NOW