

# R5 PB 0003 D

Oil-lubricated rotary vane vacuum pump



VACUUM SOLUTIONS



## Compact

Block construction, reduced height and weight, specially designed for small vacuum packaging machines or for sous-vide cooking, marinating or preserving foodstuffs, prefilled with special oil, no oil change necessary during whole life cycle

## Reliable

Robust construction, highly durable vanes, proven rotary vane technology, long service life, thermo protecting element

## Quiet

Low noise level, ideal for use in deli counters or restaurants

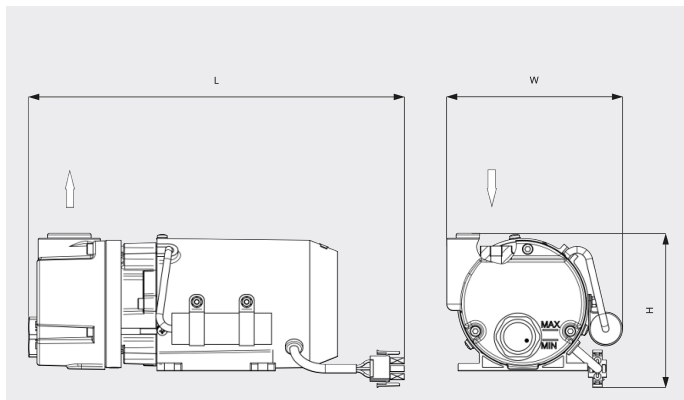
# R5 PB 0003 D

Oil-lubricated rotary vane vacuum pump



VACUUM SOLUTIONS

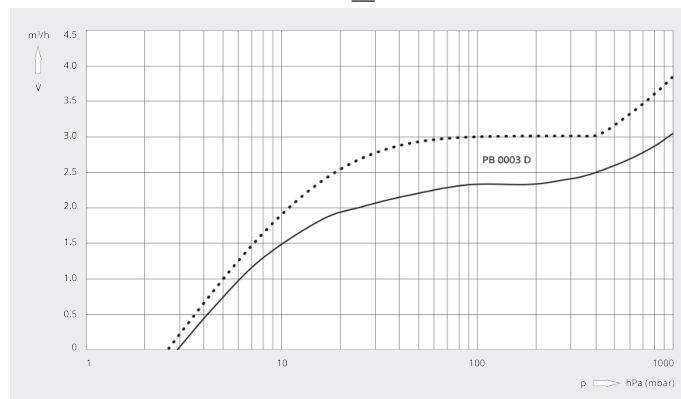
Dimensional drawing



Pumping speed

Air at 20°C. Tolerance: ± 10%

— 50 Hz    ..... 60 Hz



R5 PB 0003 D	
Nominal pumping speed	2.1 ACFM
Ultimate pressure	2.25 TORR
Nominal motor rating	0.2 HP
Nominal motor speed	3600 RPM
Noise level (ISO 2151)	66 dB(A)
Oil capacity	0.1 qts.
Weight approx.	11.4 Lbs.
Dimensions (L x W x H)	9.8 x 5.6 x 4.3 inches
Gas inlet	G 3/8"

## DO YOU WANT TO KNOW MORE?

Get in touch with us directly!  
[info@buschusa.com](mailto:info@buschusa.com) or +1 757 463 7800



CONTACT FORM



CALL NOW