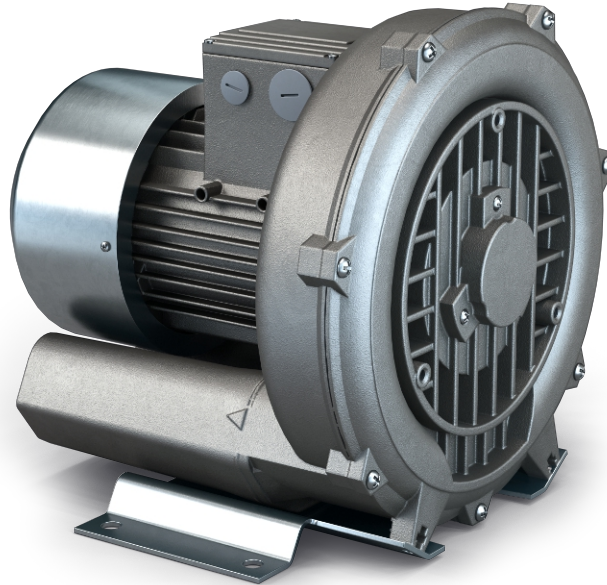


# SAMOS SB 0050-0200 D0

Side channel blowers



VACUUM SOLUTIONS



## Reliable

Robust and light-weight construction, effective air cooling, long lifetime, nearly maintenance-free, dry and contact-free operating principle

## Flexible

Vacuum or overpressure operation, horizontal and vertical installation, various design options and ATEX-certified versions available

## Quiet

Very low noise level, fully enclosed unit, internal silencers

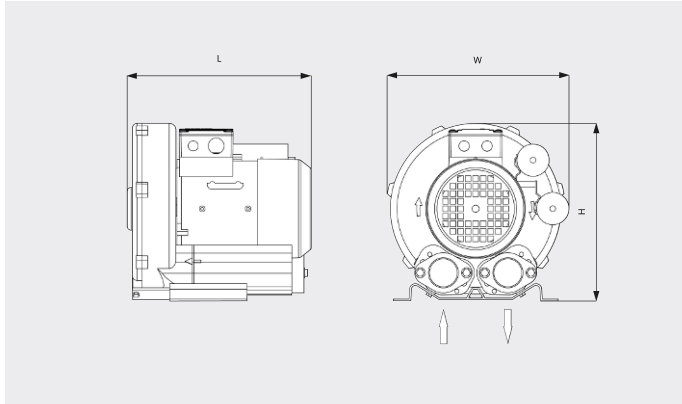
# SAMOS SB 0050-0200 D0

Side channel blowers



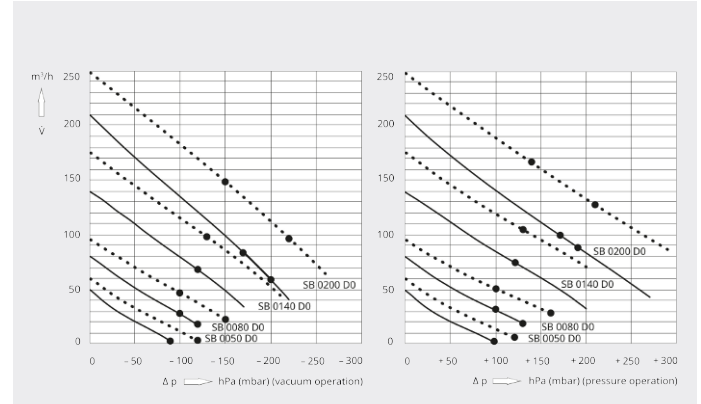
VACUUM SOLUTIONS

Dimensional drawing



Pumping speed

Air at 20°C. Tolerance: ± 10%



	SAMOS SB 0050 D0	SAMOS SB 0080 D0	SAMOS SB 0080 D0
Nominal pumping speed/volume flow	35.3 ACFM	56.5 ACFM	56.5 ACFM
Max. differential pressure (vacuum version)	-90 TORR	-75 TORR	-90 TORR
Max. differential pressure (overpressure version)	90 TORR	75 TORR	82.5 TORR
Max. operating power	0.39 HP	0.4 HP	0.58 HP
Nominal motor speed	3450 RPM	3360 RPM	3370 RPM
Noise level (ISO 3744)	53 dB(A)	55 dB(A)	60 dB(A)
Weight approx.	22 Lbs.	20 Lbs.	24 Lbs.
Dimensions (L x W x H)	9.02 x 9.7 x 9.72 inches	9.02 x 9.7 x 9.72 inches	10.1 x 9.7 x 9.72 inches
Gas inlet / outlet	G 1¼" / G 1¼"	G 1¼" / G 1¼"	G 1¼" / G 1¼"

# SAMOS SB 0050-0200 D0

Side channel blowers



VACUUM SOLUTIONS

	SAMOS SB 0140 D0	SAMOS SB 0200 D0	SAMOS SB 0200 D0
Nominal pumping speed/volume flow	103.0 ACFM	147.1 ACFM	147.1 ACFM
Max. differential pressure (vacuum version)	-127.5 TORR	-112.5 TORR	-157.5 TORR
Max. differential pressure (overpressure version)	120 TORR	105 TORR	150 TORR
Max. operating power	1.5 HP	2.1 HP	2.7 HP
Nominal motor speed	3480 RPM	3500 RPM	3525 RPM
Noise level (ISO 3744)	64 dB(A)	69 dB(A)	72 dB(A)
Weight approx.	35.3 Lbs.	56 Lbs.	69 Lbs.
Dimensions (L x W x H)	10.6 x 11.2 x 14.76 inches	12.48 x 13.15 x 15.28 inches	13.86 x 13.15 x 15.28 inches
Gas inlet / outlet	G 1½" / G 1½"	G 2" / G 2"	G 2" / G 2"

## DO YOU WANT TO KNOW MORE?

Get in touch with us directly!  
[info@buschusa.com](mailto:info@buschusa.com) or +1 757 463 7800



CONTACT FORM



CALL NOW