

MINK MM 1104/1102 CVM

Dry claw vacuum pumps



Reliable

More than 50,000 MINK vacuum pumps in operation in milking robots and plants, proven dry claw vacuum technology, no operating fluids, nearly maintenance-free, long service life

Efficient

Up to 25% energy savings compared to conventional vacuum generators used for milking robots and plants

Flexible

Wide frequency range from 10 to 60 Hz

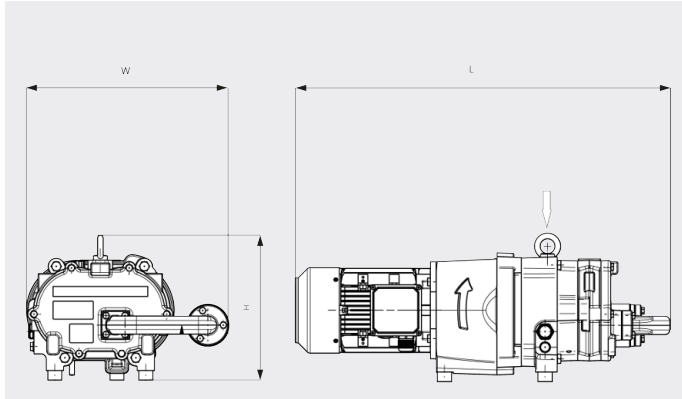
MINK MM 1104/1102 CVM

Dry claw vacuum pumps



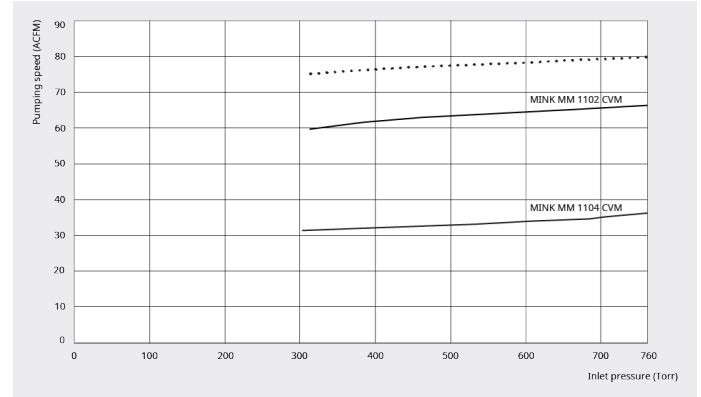
VACUUM SOLUTIONS

Dimensional drawing



Pumping speed

Air at 70°F. Tolerance: ± 10%



	MM 1104 CVM	MM 1102 CVM
Nominal pumping speed	36.5 ACFM	61.8 ACFM
Ultimate pressure	300 TORR	300 TORR
Nominal motor rating	1.7 HP	4.6 HP
Nominal motor speed	1500 RPM	3600 RPM
Noise level (ISO 2151)	72 dB(A)	77 dB(A)
Oil capacity	0.52 qts.	0.52 qts.
Weight approx.	171.6 Lbs.	308 Lbs.
Dimensions (L x W x H)	30.4 x 16.9 x 12.0 inches	35.4 x 13.3 x 11.9 inches

DO YOU WANT TO KNOW MORE?

Get in touch with us directly!
info@buschusa.com or +1 757 463 7800



CONTACT FORM



CALL NOW