

FOSSA FO 0015 A

Scroll vacuum pumps



VACUUM SOLUTIONS



Robust

Specially designed for analytical and scientific applications, for example leak detection, single-sided scroll design, dry compression, gas-tight, lifetime-lubricated bearings, minimal maintenance

Easy servicing

No special tools necessary, modular design for rapid exchange of stages

Quiet

Low noise and vibration levels, can be installed at workstations

Accessories, spare parts and options

- Inlet filter
- Exhaust filter and silencer
- Gas-ballast valve
- Gas-ballast adapter, dilution kit
- Wheels
- Tip seal replacement kit

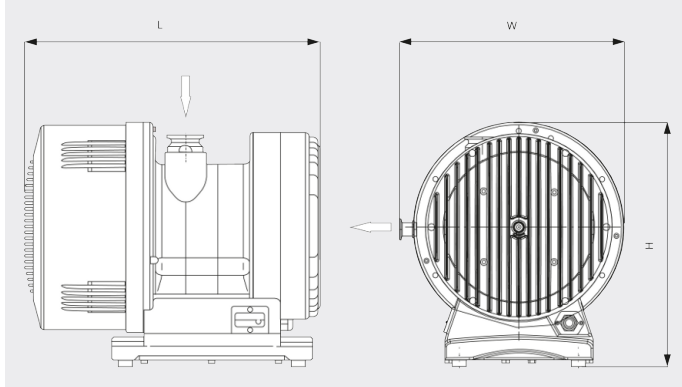
FOSSA FO 0015 A

Scroll vacuum pumps



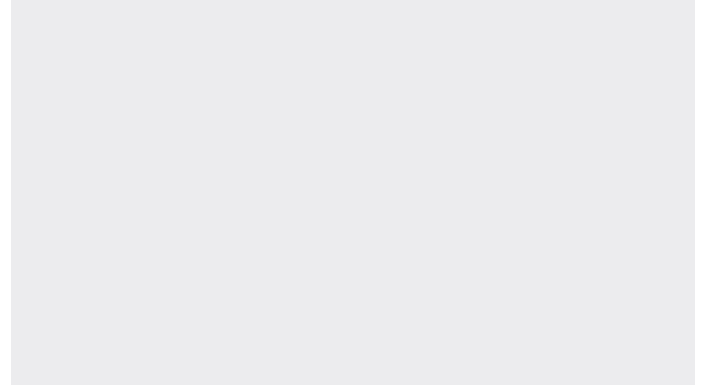
VACUUM SOLUTIONS

Dimensional drawing



Pumping speed

Air at 70°F. Tolerance: ± 10%



	FOSSA FO 0015 A	FOSSA FO 0015 A	FOSSA FO 0015 A	FOSSA FO 0015 A
Pumping speed	10.6 ACFM	10.6 ACFM	10.6 ACFM	10.6 ACFM
Pumping speed	300 l/min	300 l/min	300 l/min	300 l/min
Ultimate total pressure (gas-ballast valve closed)	0.01875 TORR	0.01875 TORR	0.01875 TORR	0.01875 TORR
Ultimate total pressure (gas-ballast valve open)	0.0675 TORR	0.0675 TORR	0.0675 TORR	0.0675 TORR
Max. continuous inlet pressure	750 TORR	750 TORR	750 TORR	750 TORR
Max. back pressure	7.3 PSIG	7.3 PSIG	7.3 PSIG	7.3 PSIG
Water vapor capacity (gas-ballast valve open)	300 g/h	300 g/h	300 g/h	300 g/h
Leakage rate (helium)	$< 1 \cdot 10^{-6}$ mbar · l/s	$< 1 \cdot 10^{-6}$ mbar · l/s	$< 1 \cdot 10^{-6}$ mbar · l/s	$< 1 \cdot 10^{-6}$ mbar · l/s
Nominal motor rating	0.5 HP	0.5 HP	0.5 HP	0.5 HP
Operating voltage	100 – 240 V	190 – 220 V	100 – 115 V	200 – 240 V
Motor phase	Single-phase	Three-phase	Single-phase	Single-phase
Ambient temperature	41 – 104 °F	41 – 104 °F	41 – 104 °F	41 – 104 °F

FOSSA FO 0015 A

Scroll vacuum pumps



VACUUM SOLUTIONS

	FOSSA FO 0015 A	FOSSA FO 0015 A	FOSSA FO 0015 A	FOSSA FO 0015 A
Vibration level at inlet (ISO 10816-1)	Class 1B, < 1.5 mbar · l/s	Class 1B, < 1.5 mbar · l/s	Class 1B, < 1.5 mbar · l/s	Class 1B, < 1.5 mbar · l/s
Noise level (ISO 2151)	42 dB(A) (idle mode) / 59 dB(A) (max.)	42 dB(A) (idle mode) / 59 dB(A) (max.)	42 dB(A) (idle mode) / 59 dB(A) (max.)	42 dB(A) (idle mode) / 59 dB(A) (max.)
Weight approx.	105.6 Lbs.	105.6 Lbs.	105.6 Lbs.	105.6 Lbs.
Dimensions (L x W x H)	17.7 x 13.3 x 14.5 inches	17.7 x 13.3 x 14.5 inches	17.7 x 13.3 x 14.5 inches	17.7 x 13.3 x 14.5 inches
Gas inlet / outlet	NW 40 / NW 16	NW 40 / NW 16	NW 40 / NW 16	NW 40 / NW 16
Emissions and immunity	EN 61236-1:2013 as a class A device	EN 61236-1:2013 as a class A device	EN 61236-1:2013 as a class A device	EN 61236-1:2013 as a class A device
Safety	EN/IEC 61010 third edition certified	EN/IEC 61010 third edition certified	EN/IEC 61010 third edition certified	EN/IEC 61010 third edition certified
Additional information	<ul style="list-style-type: none"> • Integrated frequency converter • IEC connector + M/A IP40 switch • Female Sub-D 9-pin communication port • Certification ATEX II 3G Ex Ex h IIB T4 Gc X (inside) 	<ul style="list-style-type: none"> • IP44 cable gland • Certification ATEX II 3G Ex Ex h IIB T4 Gc X (inside) 	<ul style="list-style-type: none"> • IEC connector + M/A IP40 switch • Certification ATEX II 3G Ex Ex h IIB T4 Gc X (inside) 	<ul style="list-style-type: none"> • IEC connector + M/A IP40 switch • Certification ATEX II 3G Ex Ex h IIB T4 Gc X (inside)

DO YOU WANT TO KNOW MORE?

Get in touch with us directly!
info@buschusa.com or +1 757 463 7800



CONTACT FORM



CALL NOW