

MINK MM 1202-1322 AP

Dry claw compressors



VACUUM SOLUTIONS



Flexible

Designed for numerous industrial applications of up to 2.0 bar(g), inlet filter and pressure relief valve as standard

Reliable

Effective air cooling, constantly high volume flow throughout the entire life cycle

Nearly maintenance-free

Dry and contact-free compression

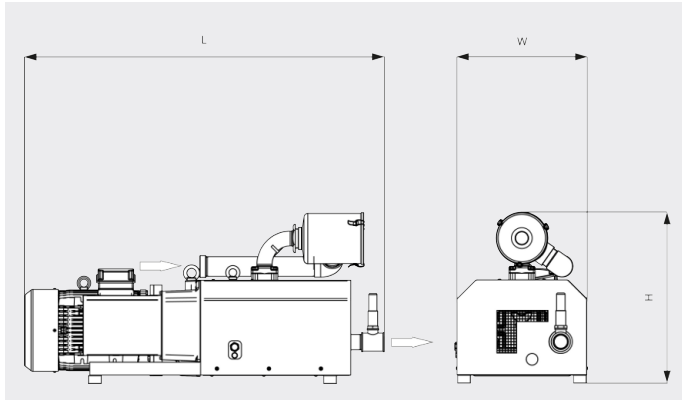
MINK MM 1202-1322 AP

Dry claw compressors



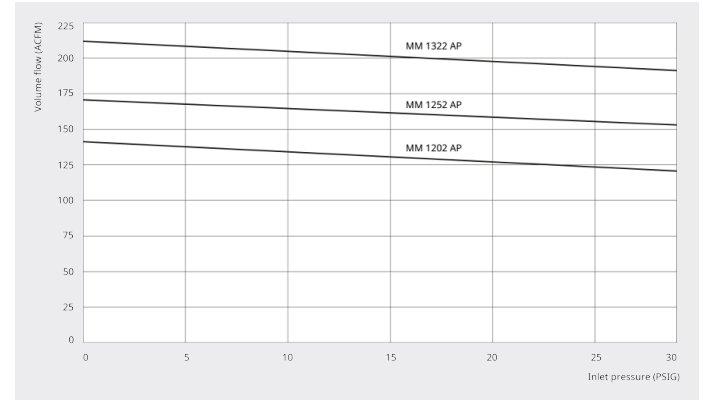
VACUUM SOLUTIONS

Dimensional drawing



Volume flow

Air at 70°F. Tolerance: ± 10%



MINK MM 1202 AP	
Volume flow	135.0 ACFM
Overpressure (at inlet)	16.0 PSIG
Nominal motor rating	10.0 – 23.2 HP
Nominal motor speed	3600 RPM
Noise level (ISO 2151)	83 dB(A)
Weight approx.	463 Lbs.
Dimensions (L x W x H)	49.3 x 20.3 x 26.1 inches
Gas outlet	2" NPT
MINK MM 1252 AP	
Volume flow	165.0 ACFM
Overpressure (at inlet)	10.2 PSIG
Nominal motor rating	12.7 – 23.2 HP

MINK MM 1202-1322 AP

Dry claw compressors



VACUUM SOLUTIONS

MINK MM 1252 AP	
Nominal motor speed	3600 RPM
Noise level (ISO 2151)	84 dB(A)
Weight approx.	507 Lbs.
Dimensions (L x W x H)	53.4 x 20.3 x 26.1 inches
Gas outlet	2" NPT

MINK MM 1322 AP	
Volume flow	200.0 ACFM
Overpressure (at inlet)	11.6 PSIG
Nominal motor rating	16.9 - 28.6 HP
Nominal motor speed	3600 RPM
Noise level (ISO 2151)	85 dB(A)
Weight approx.	563 Lbs.
Dimensions (L x W x H)	54 x 20.3 x 26.1 inches
Gas outlet	2" NPT

DO YOU WANT TO KNOW MORE?

Get in touch with us directly!
info@buschusa.com or +1 757 463 7800



CONTACT FORM



CALL NOW