

# DOLPHIN LB 2108-3108 A

Liquid ring vacuum pumps



VACUUM SOLUTIONS



## Robust

Proven technology, durable two-stage construction

## Reliable

Extremely high vapor and particle tolerance

## Flexible

Wide range of construction materials, including cast iron (EN-GJL-200), many grades of stainless steel and even titanium, ATEX-certified version available (Cat 1(i)/2(o) IIC T5), operating fluids other than water possible, operation as compressor possible

Accessories, spare parts and options

- Partial or total recirculation systems
- Liquid separator
- Cavitation protection
- Heat exchanger
- Gas ejector
- Wide selection of motors
- Non-return valves
- Vacuum relief valves

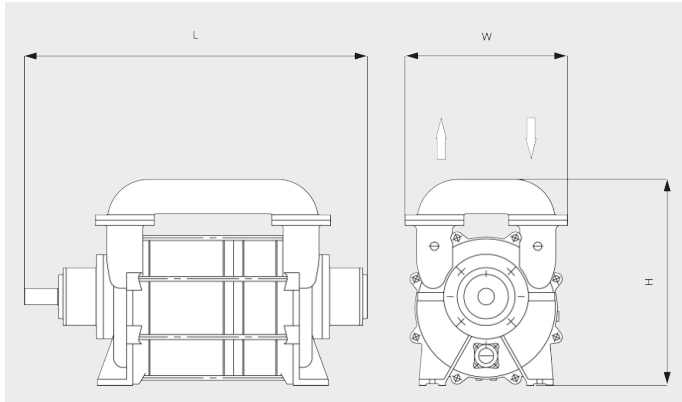
# DOLPHIN LB 2108-3108 A

Liquid ring vacuum pumps



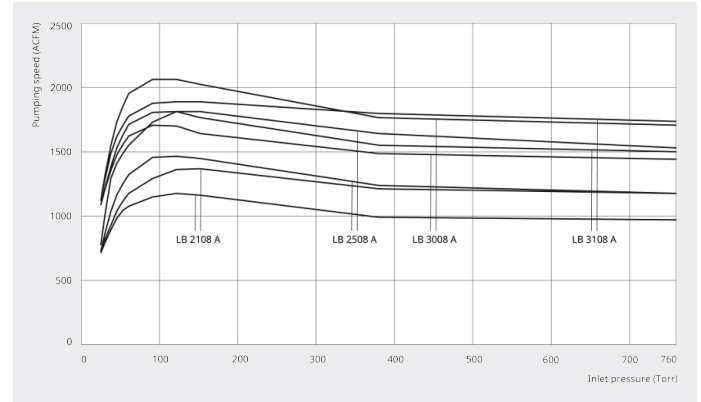
VACUUM SOLUTIONS

Dimensional drawing



Pumping speed

Air at 70°F. Tolerance: ± 10%



	DOLPHIN LB 2108 A	DOLPHIN LB 2508 A	DOLPHIN LB 3008 A	DOLPHIN LB 3108 A
<b>Nominal pumping speed</b>	1368.0 ACFM	1813.0 ACFM	1889.0 ACFM	2063.0 ACFM
<b>Ultimate pressure</b>	25 TORR	25 TORR	25 TORR	25 TORR
<b>Nominal motor rating</b>	125.0 HP	150.0 HP	200.0 HP	200.0 HP
<b>Nominal motor speed</b>	880 RPM	880 RPM	880 RPM	880 RPM
<b>Noise level (ISO 2151)</b>	79 dB(A)	79 dB(A)	79 dB(A)	79 dB(A)
<b>Weight approx.</b>	3219 Lbs.	3483 Lbs.	3748 Lbs.	4277 Lbs.
<b>Dimensions (L x W x H)</b>	76.3 x 25.6 x 39.4 inches	82.2 x 25.6 x 39.4 inches	86.1 x 25.6 x 39.4 inches	87.5 x 25.6 x 39.4 inches
<b>Gas inlet / outlet</b>	6" / 6"	6" / 6"	6" / 6"	6" / 6"

## DO YOU WANT TO KNOW MORE?

Get in touch with us directly!  
[info@buschusa.com](mailto:info@buschusa.com) or +1 757 463 7800



CONTACT FORM



CALL NOW