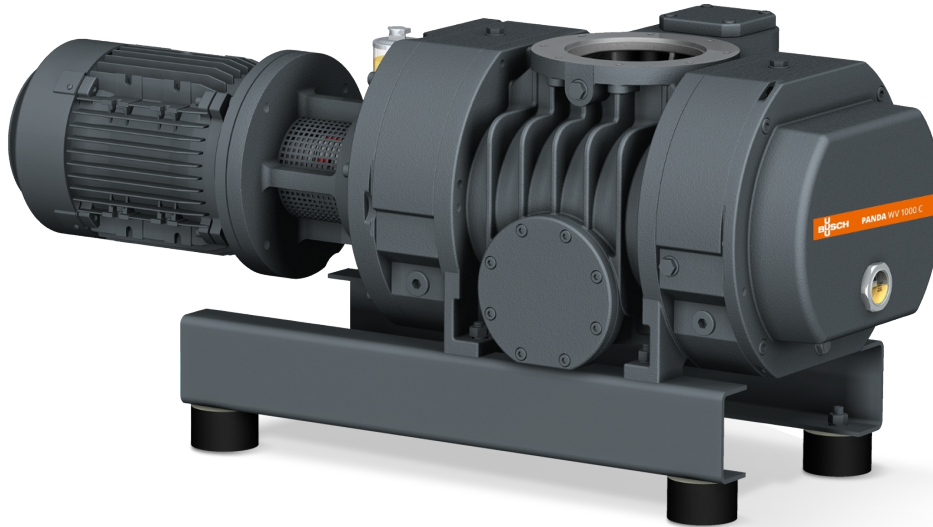


PANDA WV 0250/0500 C

Vacuum boosters



VACUUM SOLUTIONS



Reliable

Solid lobe design, robust construction, reliable under varying operating conditions, barrier gas connection

High performance

Excellent volumetric efficiency, high ultimate pressure, increases the performance of a vacuum system by up to a factor of ten, integrated bypass valve, specially designed for rough and medium vacuum applications

Flexible

Can be flanged directly on the system at any position, boosts the performance of all types of backing pumps, with vertical or lateral discharge, perfectly suited for chemical processes

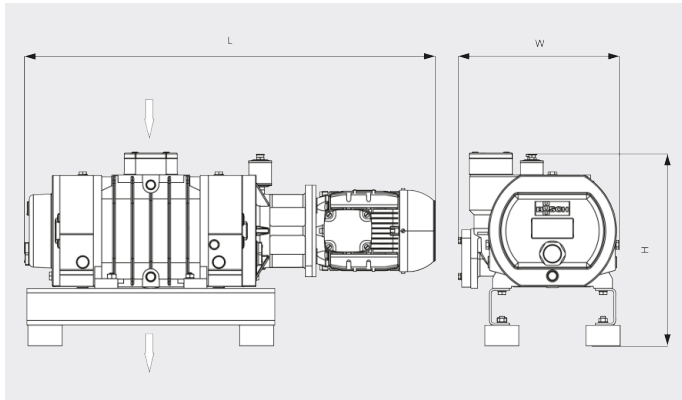
PANDA WV 0250/0500 C

Vacuum boosters



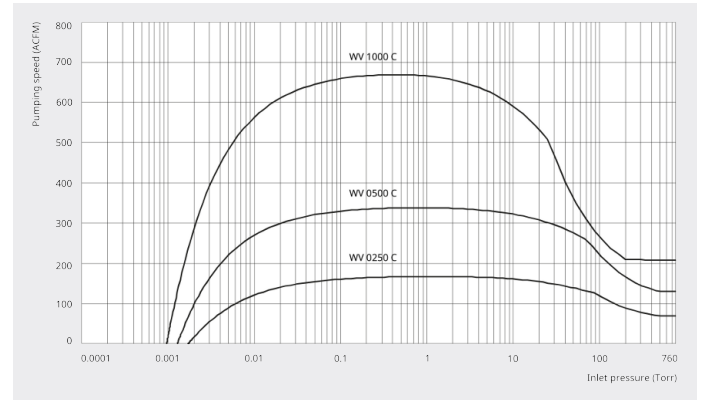
VACUUM SOLUTIONS

Dimensional drawing



Pumping speed

Air at 70°F. Tolerance: ± 10%



	PANDA WV 0250 C	PANDA WV 0500 C
Nominal pumping speed	176.6 ACFM	353.1 ACFM
Pumping speed	167.7 ACFM	338.4 ACFM
Max. differential pressure	75 TORR	75 TORR
Nominal motor rating	2.0 HP	4.0 HP
Nominal motor speed	1800 RPM	3600 RPM
Weight approx.	330 Lbs.	330 Lbs.
Dimensions (L x W x H)	35.6 x 13.9 x 16.6 inches	36.1 x 13.9 x 16.6 inches
Gas inlet / outlet (vertical)	DN 100 ISO / DN 100 ISO	DN 100 ISO / DN 100 ISO
Gas inlet / outlet (horizontal)	DN 100 ISO / DN 063 ISO	DN 100 ISO / DN 063 ISO

DO YOU WANT TO KNOW MORE?

Get in touch with us directly!
info@buschusa.com or +1 757 463 7800



CONTACT FORM



CALL NOW