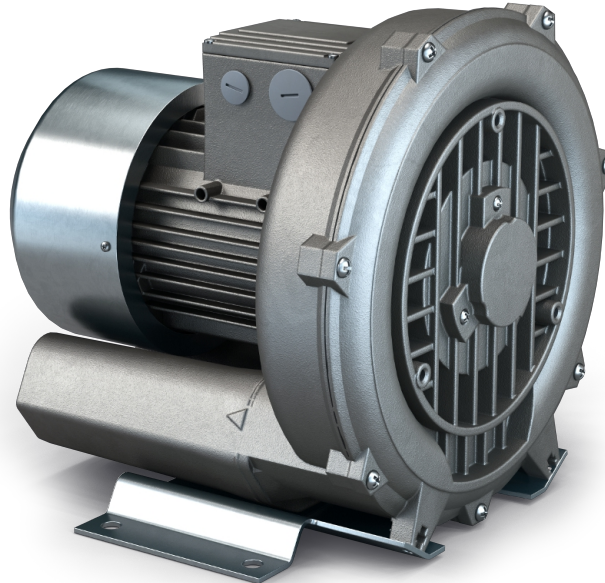


SAMOS SB 0050-0200 D0

Side channel blowers



VACUUM SOLUTIONS



Reliable

Robust and light-weight construction, effective air cooling, long lifetime, nearly maintenance-free, dry and contact-free operating principle

Flexible

Vacuum or overpressure operation, horizontal and vertical installation, various design options and ATEX-certified versions available

Quiet

Very low noise level, fully enclosed unit, internal silencers

Accessories

- Vacuum relief valves
- Pressure relief valves
- Additional silencers
- Thermal protection (bimetal switch or PTC-thermistor)
- Inlet filter for vacuum or pressure operation

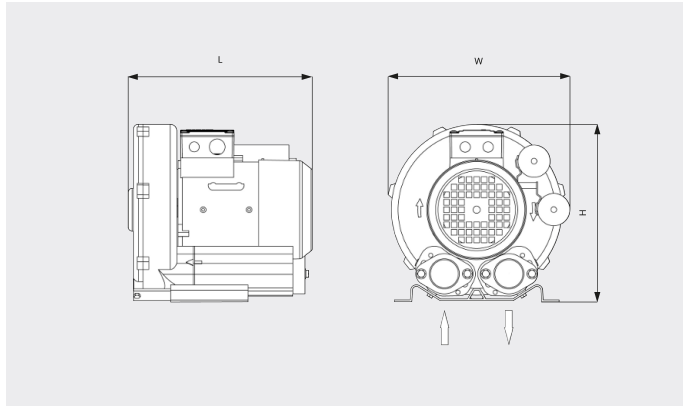
SAMOS SB 0050-0200 D0

Side channel blowers



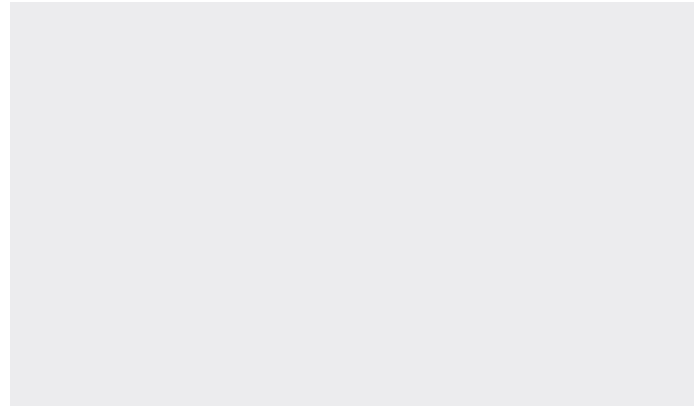
VACUUM SOLUTIONS

Dimensional drawing



Pumping speed/Volume flow

Air at 20°C. Tolerance: ± 10%



| | SAMOS SB 0050 D0 | SAMOS SB 0080 D0 | SAMOS SB 0080 D0 |
|---|-------------------------|------------------------|------------------------|
| Nominal pumping speed/volume flow | 35.3 ACFM | 56.5 ACFM | 56.5 ACFM |
| Max. differential pressure (vacuum version) | -90 TORR | -75 TORR | -112.5 TORR |
| Max. differential pressure (overpressure version) | 90 TORR | 75 TORR | 120 TORR |
| Nominal motor rating | 0.3 HP | 0.4 HP | 0.7 HP |
| Nominal motor speed | 3450 RPM | 3450 RPM | 3450 RPM |
| Noise level (ISO 3744) | 53 dB(A) | 56 dB(A) | 56 dB(A) |
| Weight approx. | 15.4 Lbs. | 22 Lbs. | 22 Lbs. |
| Dimensions (L x W x H) | 10.1 x 9.7 x 9.7 inches | 10.1 x 10 x 9.7 inches | 10.1 x 10 x 9.7 inches |
| Gas inlet / outlet | G 1¼" / G 1¼" | G 1¼" / G 1¼" | G 1¼" / G 1¼" |

| | SAMOS SB 0080 D2 | SAMOS SB 0140 D2 | SAMOS SB 0140 D2 | SAMOS SB 0200 D2 |
|---|------------------|------------------|------------------|------------------|
| Nominal pumping speed/volume flow | 60,0 ACFM | 105.9 ACFM | 105.9 ACFM | 158.9 ACFM |
| Max. differential pressure (vacuum version) | -187.5 TORR | -240 TORR | -262.5 TORR | -285 TORR |

SAMOS SB 0050-0200 D0

Side channel blowers



VACUUM SOLUTIONS

| | SAMOS SB 0080 D2 | SAMOS SB 0140 D2 | SAMOS SB 0140 D2 | SAMOS SB 0200 D2 |
|---|---------------------------|---------------------------|---------------------------|---------------------------|
| Max. differential pressure (overpressure version) | 187.5 TORR | 232.5 TORR | 330 TORR | 270 TORR |
| Nominal motor rating | 1.1 HP | 2.7 HP | 3.4 HP | 4,6 HP |
| Nominal motor speed | 3450 RPM | 3450 RPM | 3450 RPM | 3450 RPM |
| Noise level (ISO 3744) | 61 dB(A) | 69 dB(A) | 69 dB(A) | 74 dB(A) |
| Weight approx. | 33 Lbs. | 55 Lbs. | 59.4 Lbs. | 88 Lbs. |
| Dimensions (L x W x H) | 12.4 x 18.7 x 10.6 inches | 15.8 x 19.6 x 12.4 inches | 15.8 x 19.6 x 12.4 inches | 18.3 x 24.3 x 14.6 inches |
| Gas inlet / outlet | G 1¼" / G 1¼" | G 1¼" / G 1¼" | G 1¼" / G 1¼" | G 2" / G 2" |

DO YOU WANT TO KNOW MORE?

Get in touch with us directly!
info@buschusa.com or +1 757 463 7800



CONTACT FORM



CALL NOW