

# SAMOS SB 0310-0530 D0

Side channel blowers



VACUUM SOLUTIONS



## Reliable

Robust construction, effective air cooling, long lifetime, nearly maintenance-free, dry and contact-free operating principle

## Flexible

Vacuum or overpressure operation, horizontal and vertical installation, various design options and ATEX-certified versions available

## Quiet

Very low noise level, fully enclosed unit, internal silencers

### Accessories

- Vacuum relief valves
- Pressure relief valves
- Additional silencers
- Thermal protection (bimetal switch or PTC-thermistor)

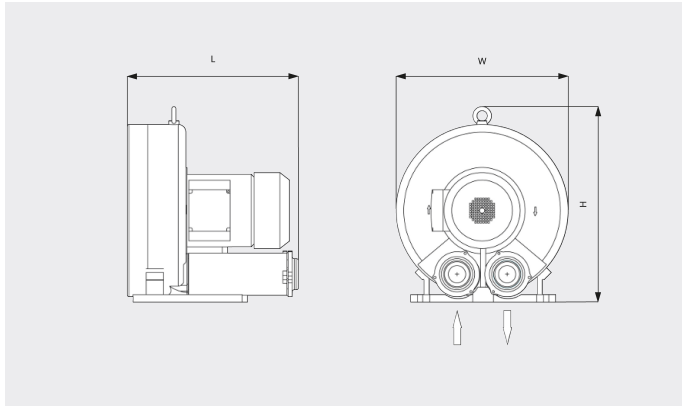
# SAMOS SB 0310-0530 D0

Side channel blowers



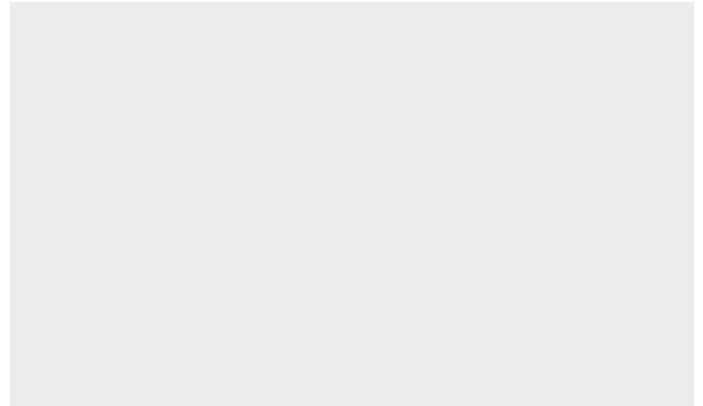
VACUUM SOLUTIONS

Dimensional drawing



Pumping speed/Volume flow

Air at 20°C. Tolerance: ± 10%



	SAMOS SB 0310 D0	SAMOS SB 0310 D0
Nominal pumping speed/volume flow	220.7 ACFM	220.7 ACFM
Max. differential pressure (vacuum version)	-142.5 TORR	-180 TORR
Max. differential pressure (overpressure version)	142.5 TORR	172.5 TORR
Nominal motor rating	3.4 HP	4.6 HP
Nominal motor speed	3450 RPM	3450 RPM
Noise level (ISO 3744)	72 dB(A)	72 dB(A)
Weight approx.	66 Lbs.	77 Lbs.
Dimensions (L x W x H)	16.2 x 15.0 x 15.1 inches	16.2 x 15.0 x 15.1 inches
Gas inlet / outlet	G 2" / G 2"	G 2" / G 2"

# SAMOS SB 0310-0530 D0

Side channel blowers



VACUUM SOLUTIONS

	SAMOS SB 0430 D0	SAMOS SB 0430 D0	SAMOS SB 0430 D0
Nominal pumping speed/volume flow	294.3 ACFM	294.3 ACFM	294.3 ACFM
Max. differential pressure (vacuum version)	-120 TORR	-150 TORR	-195 TORR
Max. differential pressure (overpressure version)	112.5 TORR	127.5 TORR	217.5 TORR
Nominal motor rating	3.4 HP	4.6 HP	6.2 HP
Nominal motor speed	3450 RPM	3450 RPM	3450 RPM
Noise level (ISO 3744)	73 dB(A)	73 dB(A)	73 dB(A)
Weight approx.	70.4 Lbs.	81.4 Lbs.	94.6 Lbs.
Dimensions (L x W x H)	17.3 x 15.0 x 16.5 inches	17.3 x 15.0 x 16.5 inches	17.3 x 15.0 x 16.5 inches
Gas inlet / outlet	G 2" / G 2"	G 2" / G 2"	G 2" / G 2"

	SAMOS SB 0530 D0	SAMOS SB 0530 D0
Nominal pumping speed/volume flow	364.9 ACFM	364.9 ACFM
Max. differential pressure (vacuum version)	-120 TORR	-225 TORR
Max. differential pressure (overpressure version)	120 TORR	210 TORR
Nominal motor rating	6.2 HP	8.4 HP
Nominal motor speed	3450 RPM	3450 RPM
Noise level (ISO 3744)	74 dB(A)	74 dB(A)
Weight approx.	257.4 Lbs.	277.2 Lbs.
Dimensions (L x W x H)	19.5 x 19.6 x 20.2 inches	19.5 x 19.6 x 20.2 inches
Gas inlet / outlet	G 2½" / G 2½"	G 2½" / G 2½"

## DO YOU WANT TO KNOW MORE?

Get in touch with us directly!  
[info@buschusa.com](mailto:info@buschusa.com) or +1 757 463 7800



CONTACT FORM



CALL NOW