

MINK MV 0040-0080 D Synchro

Dry claw vacuum pumps



VACUUM SOLUTIONS



Quiet

Low noise level due to a state-of-the-art acoustic design, significantly reduced pulsation, can be installed at workstations

Efficient

Latest claw vacuum technology, intelligent variable speed drive with PID controller, low energy consumption, minimized operating costs

Compact

Small footprint

Accessories

- Parameter configuration kit for alteration of control settings by computer, including software
- Fieldbus modules
- Pressure transmitter for pressure-regulated vacuum pump operation
- Inlet filter
- Condensate drain valve (Aqua version)
- Manual control unit for easy vacuum pump control

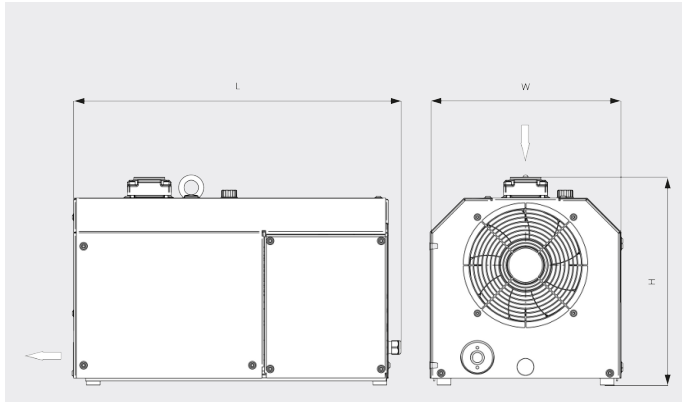
MINK MV 0040-0080 D Synchro

Dry claw vacuum pumps



VACUUM SOLUTIONS

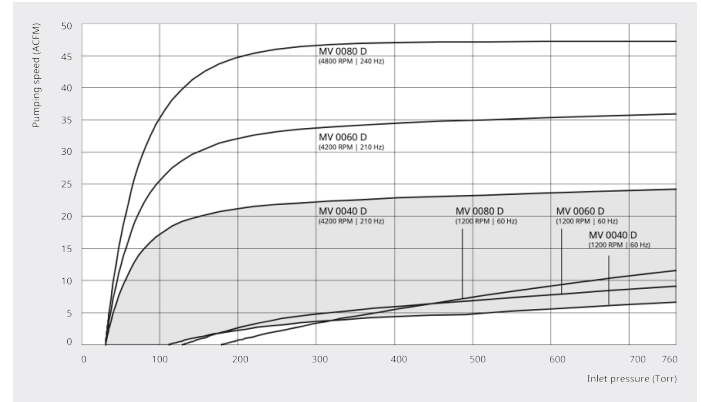
Dimensional drawing



Pumping speed

Air at 70°F. Tolerance: ± 10%

■ Operating range



	MINK MV 0040 D Synchro	MINK MV 0060 D Synchro	MINK MV 0080 D Synchro
Nominal pumping speed	23.5 ACFM	35.3 ACFM	47 ACFM
Ultimate pressure	30 TORR	30 TORR	30 TORR
Power consumption (motor and fan)	1.7 HP	2.3 HP	2.8 HP
Nominal motor speed	1200-4200 RPM	1200-4200 RPM	1200-4200 RPM
Noise level (ISO 2151)	62 dB(A)	68 dB(A)	71 dB(A)
Weight approx.	176 Lbs.	188 Lbs.	192 Lbs.
Dimensions (L x W x H)	23 x 13.6 x 14.6 inches	24 x 13.6 x 14.6 inches	24 x 13.6 x 14.6 inches
Gas inlet / outlet	G 1 ¼" / G ¾"	G 1 ¼" / G ¾"	G 1 ¼" / G ¾"

DO YOU WANT TO KNOW MORE?

Get in touch with us directly!
info@buschusa.com or +1 757 463 7800



CONTACT FORM



CALL NOW