

# PANDA WV 4500 B

Vacuum boosters



VACUUM SOLUTIONS



## Reliable

Solid lobe design, robust construction, reliable under varying operating conditions, barrier gas connection

## High performance

Excellent volumetric efficiency, high ultimate pressure, increases the performance of a vacuum system by up to a factor of ten, integrated bypass valve, specially designed for rough and medium vacuum applications

## Flexible

Can be flanged directly on the system at any position, boosts the performance of all types of backing pumps, with vertical or lateral discharge, perfectly suited for a wide range of applications

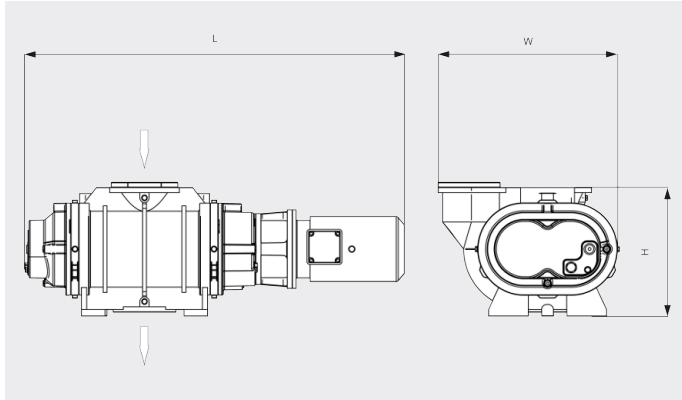
# PANDA WV 4500 B

Vacuum boosters



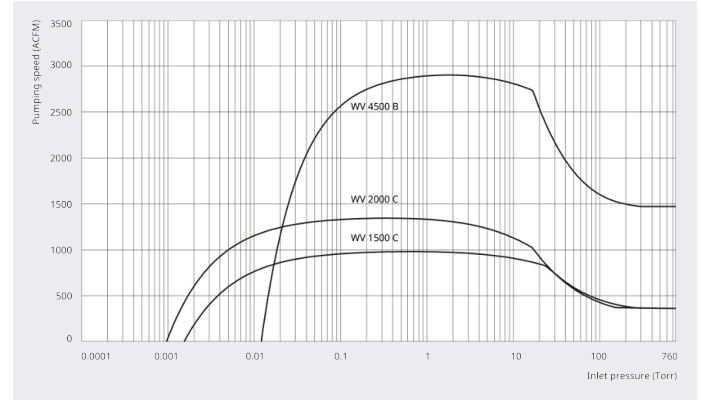
VACUUM SOLUTIONS

Dimensional drawing



Pumping speed

Air at 70°F. Tolerance: ± 10%



PANDA WV 4500 B	
Nominal pumping speed	3180.0 ACFM
Pumping speed	2915.0 ACFM
Max. differential pressure	18.75 TORR
Nominal motor rating	15.0 HP
Nominal motor speed	3600 RPM
Weight approx.	1540 Lbs.
Dimensions (L x W x H)	56.9 x 27.3 x 20 inches
Gas inlet / outlet	DN 250 ISO / DN 160 ISO

## DO YOU WANT TO KNOW MORE?

Get in touch with us directly!  
[info@buschusa.com](mailto:info@buschusa.com) or +1 757 463 7800



CONTACT FORM



CALL NOW