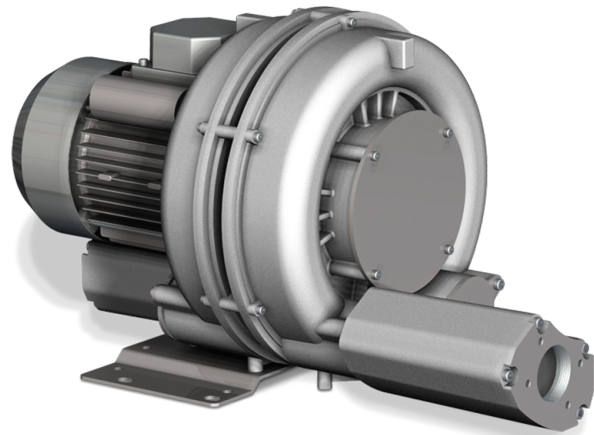


# SAMOS SI 0090-0210 E2

Side channel blowers



VACUUM SOLUTIONS



## Reliable

Robust construction, effective air cooling, long lifetime, nearly maintenance-free, dry and contact-free operating principle, high differential pressures thanks to two compression stages, protection against overheating

## Flexible

Vacuum or overpressure operation, horizontal and vertical installation

## Quiet

Low noise level, fully enclosed unit, internal silencers

### Accessories

- Vacuum relief valves
- Pressure relief valves
- Additional silencers

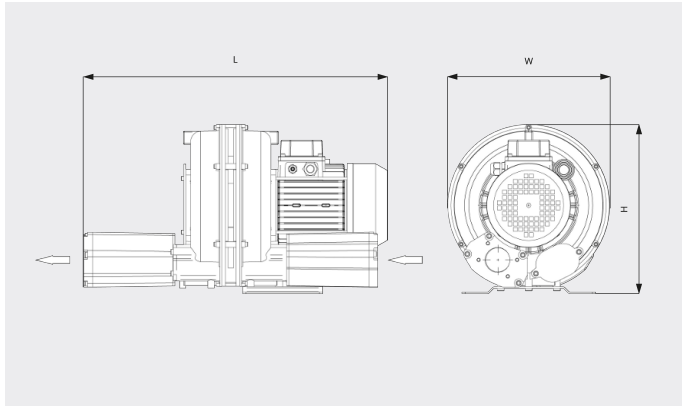
# SAMOS SI 0090-0210 E2

Side channel blowers



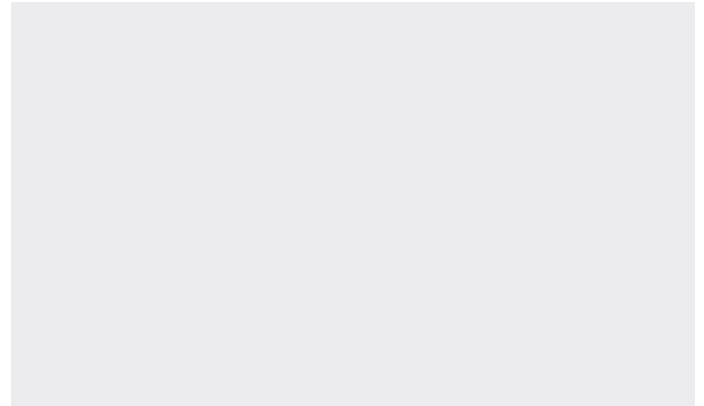
VACUUM SOLUTIONS

Dimensional drawing



Pumping speed/Volume flow

Air at 20°C. Tolerance: ± 10%



	SAMOS SI 0090 E2	SAMOS SI 0150 E2	SAMOS SI 0210 E2
Nominal pumping speed/volume flow	56.5 ACFM	95.3 ACFM	141.2 ACFM
Max. differential pressure (vacuum version)	-153.75 TORR	-191.25 TORR	-210 TORR
Max. differential pressure (overpressure version)	146.25 TORR	176.25 TORR	183.75 TORR
Nominal motor rating	1.2 HP	2.3 HP	3.4 HP
Nominal motor speed	3600 RPM	3600 RPM	3600 RPM
Noise level (ISO 3744)	68 dB(A)	68 dB(A)	72 dB(A)
Weight approx.	35.2 Lbs.	55 Lbs.	68.2 Lbs.
Dimensions (L x W x H)	21.1 x 9.6 x 9.9 inches	21.4 x 11.9 x 12.4 inches	11.2 x 13.1 x 13.4 inches
Gas inlet / outlet	G 1¼" / G 1¼"	G 1½" / G 1½"	G 1½" / G 1½"

## DO YOU WANT TO KNOW MORE?

Get in touch with us directly!  
[info@buschusa.com](mailto:info@buschusa.com) or +1 757 463 7800



CONTACT FORM



CALL NOW