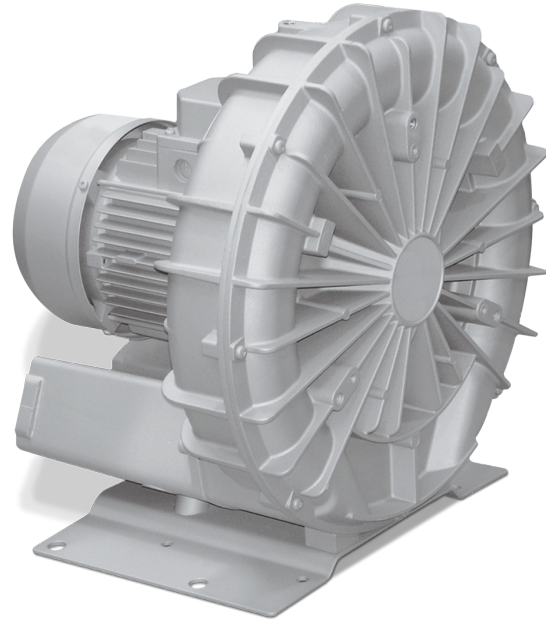


SAMOS SI 0210-0500 E1

Side channel blowers



VACUUM SOLUTIONS



Reliable

Robust and light-weight construction, effective air cooling, long lifetime, nearly maintenance-free, dry and contact-free operating principle, protection against overheating

Flexible

Vacuum or overpressure operation, horizontal and vertical installation

Quiet

Low noise level, fully enclosed unit, internal silencers

Accessories

- Vacuum relief valves
- Pressure relief valves
- Additional silencers

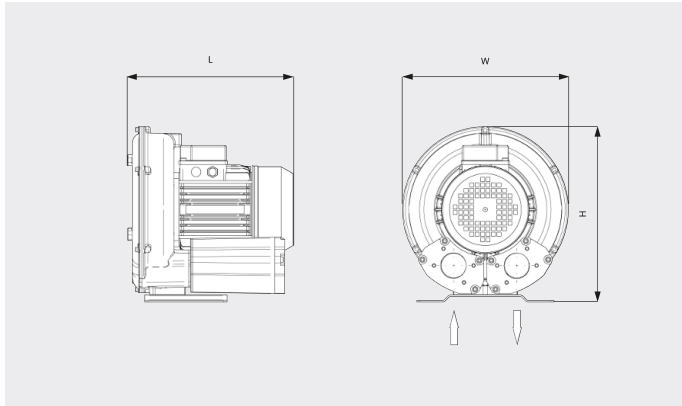
SAMOS SI 0210-0500 E1

Side channel blowers



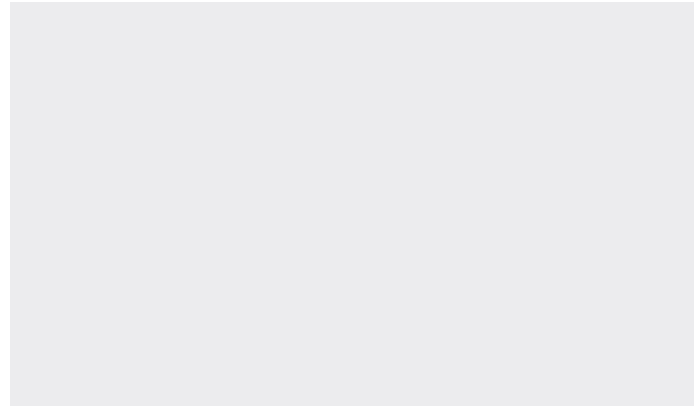
VACUUM SOLUTIONS

Dimensional drawing



Pumping speed/Volume flow

Air at 20°C. Tolerance: ± 10%



	SAMOS SI 0210 E1	SAMOS SI 0210 E1	SAMOS SI 0320 E1	SAMOS SI 0320 E1
Nominal pumping speed/volume flow	141.2 ACFM	141.2 ACFM	232.5 ACFM	232.5 ACFM
Max. differential pressure (vacuum version)	-101.25 TORR	-138.75 TORR	-138.75 TORR	-191.25 TORR
Max. differential pressure (overpressure version)	101.25 TORR	131.25 TORR	127.5 TORR	183.75 TORR
Nominal motor rating	1.7 HP	2.3 HP	3.4 HP	4.6 HP
Nominal motor speed	3600 RPM	3600 RPM	3600 RPM	3600 RPM
Noise level (ISO 3744)	69 dB(A)	69 dB(A)	77 dB(A)	77 dB(A)
Weight approx.	46.2 Lbs.	46.2 Lbs.	70.4 Lbs.	70.4 Lbs.
Dimensions (L x W x H)	11.2 x 13.1 x 13.4 inches	11.2 x 13.1 x 13.4 inches	14.0 x 15.6 x 16.3 inches	14.0 x 15.6 x 16.3 inches
Gas inlet / outlet	G 1½" / G 1½"	G 1½" / G 1½"	G 2" / G 2"	G 2" / G 2"

SAMOS SI 0210-0500 E1

Side channel blowers



VACUUM SOLUTIONS

	SAMOS SI 0500 E1	SAMOS SI 0500 E1
Nominal pumping speed/volume flow	353.1 ACFM	353.1 ACFM
Max. differential pressure (vacuum version)	-75 TORR	-146.25 TORR
Max. differential pressure (overpressure version)	45 TORR	138.75 TORR
Nominal motor rating	6.2 HP	8.4 HP
Nominal motor speed	3600 RPM	3600 RPM
Noise level (ISO 3744)	81 dB(A)	81 dB(A)
Weight approx.	129.8 Lbs.	129.8 Lbs.
Dimensions (L x W x H)	21.1 x 15.6 x 16.3 inches	21.1 x 15.6 x 16.3 inches
Gas inlet / outlet	G 2" / G 2"	G 2" / G 2"

DO YOU WANT TO KNOW MORE?

Get in touch with us directly!
info@buschusa.com or +1 757 463 7800



CONTACT FORM



CALL NOW