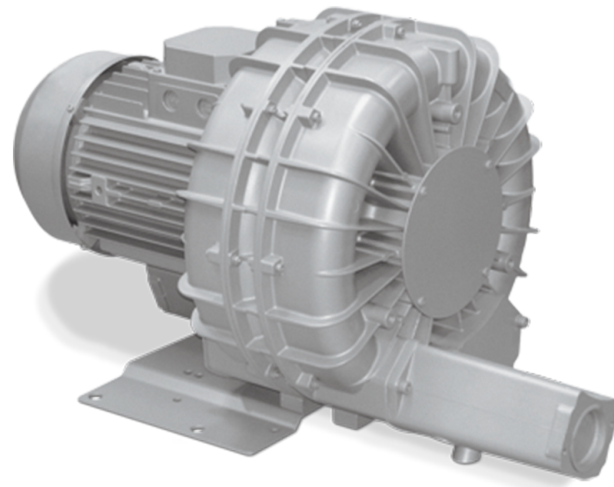


# SAMOS SI 0320/1150 E2

Side channel blowers



VACUUM SOLUTIONS



## Reliable

Robust construction, effective air cooling, long lifetime, nearly maintenance-free, dry and contact-free operating principle, high differential pressures thanks to two compression stages, protection against overheating

## Flexible

Vacuum or overpressure operation, horizontal and vertical installation

## Quiet

Low noise level, fully enclosed unit, internal silencers

### Accessories

- Vacuum relief valves
- Pressure relief valves
- Additional silencers

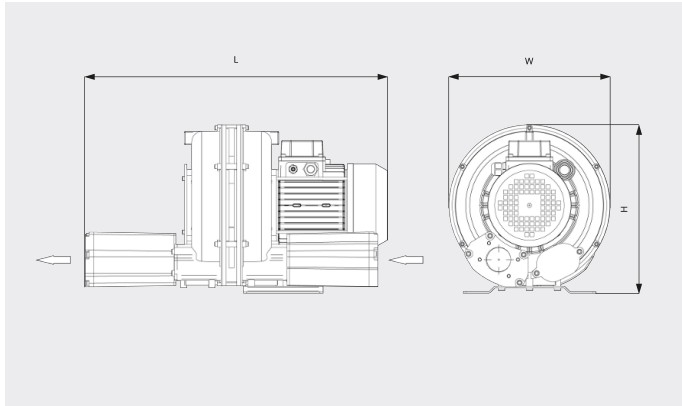
# SAMOS SI 0320/1150 E2

Side channel blowers



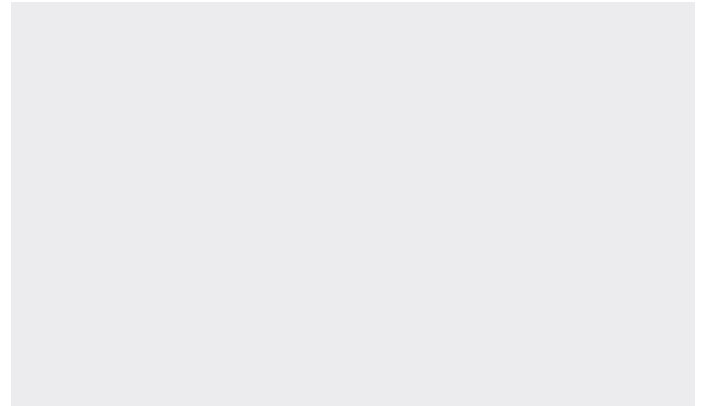
VACUUM SOLUTIONS

Dimensional drawing



Pumping speed/Volume flow

Air at 20°C. Tolerance: ± 10%



	SAMOS SI 0320 E2	SAMOS SI 0320 E2	SAMOS SI 1150 E2
Nominal pumping speed/volume flow	232.5 ACFM	232.5 ACFM	847.4 ACFM
Max. differential pressure (vacuum version)	-221.25 TORR	-285 TORR	-258.8 TORR
Max. differential pressure (overpressure version)	206.25 TORR	277.5 TORR	258.8 TORR
Nominal motor rating	6.2 HP	8.4 HP	33.8 HP
Nominal motor speed	3600 RPM	3600 RPM	3600 RPM
Noise level (ISO 3744)	81 dB(A)	81 dB(A)	80 dB(A)
Weight approx.	132 Lbs.	132 Lbs.	528 Lbs.
Dimensions (L x W x H)	27.7 x 15.6 x 16.3 inches	27.7 x 15.6 x 16.3 inches	53.2 x 24.2 x 24.8 inches
Gas inlet / outlet	G 2" / G 2"	G 2" / G 2"	G 4" / G 4"

## DO YOU WANT TO KNOW MORE?

Get in touch with us directly!  
[info@buschusa.com](mailto:info@buschusa.com) or +1 757 463 7800



CONTACT FORM



CALL NOW