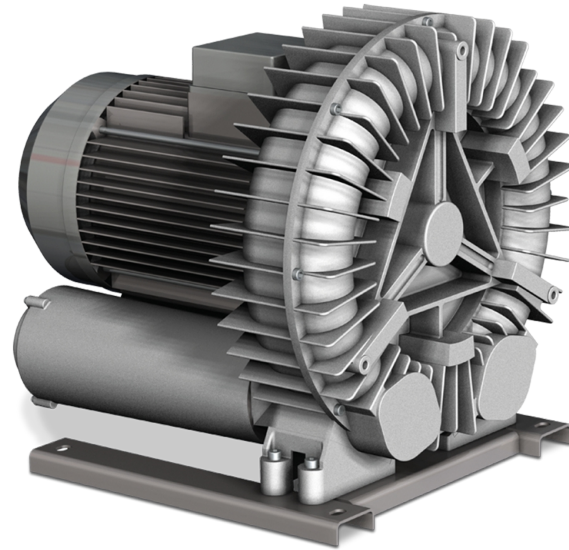


SAMOS SI 1500/2200 E1

Side channel blowers



VACUUM SOLUTIONS



Reliable

Robust and light-weight construction, effective air cooling, long lifetime, nearly maintenance-free, dry and contact-free operating principle, protection against overheating

Flexible

Vacuum or overpressure operation, horizontal and vertical installation

Quiet

Low noise level, fully enclosed unit, internal silencers

Accessories

- Vacuum relief valves
- Pressure relief valves
- Additional silencers

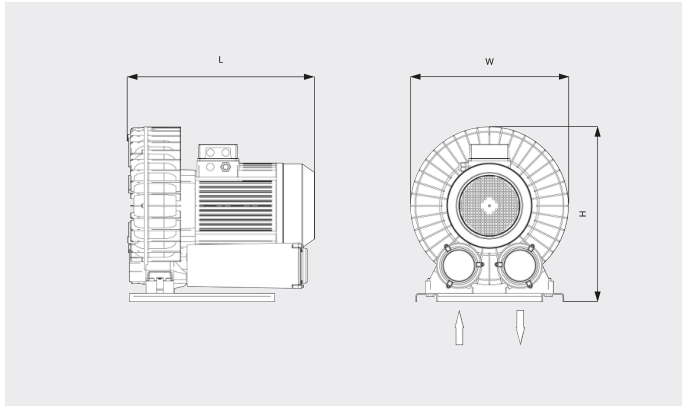
SAMOS SI 1500/2200 E1

Side channel blowers



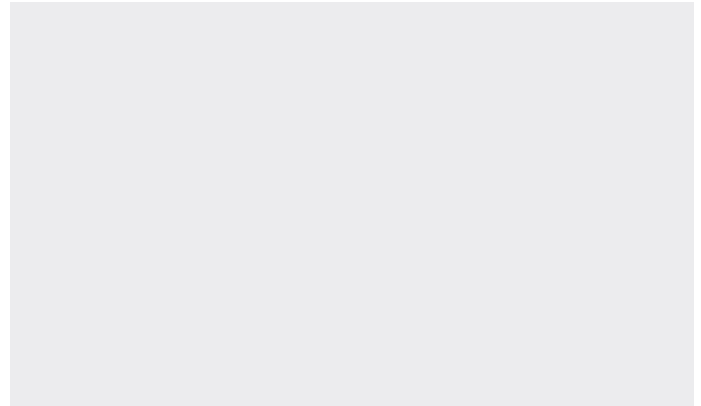
VACUUM SOLUTIONS

Dimensional drawing



Pumping speed/Volume flow

Air at 20°C. Tolerance: ± 10%



	SAMOS SI 1500 E1	SAMOS SI 2200 E1
Nominal pumping speed/volume flow	1059.3 ACFM	1553.6 ACFM
Max. differential pressure (vacuum version)	-116,25 TORR	-135 TORR
Max. differential pressure (overpressure version)	93.75 TORR	97.5 TORR
Nominal motor rating	23.2 HP	33.8 HP
Nominal motor speed	3600 RPM	3600 RPM
Noise level (ISO 3744)	84 dB(A)	84 dB(A)
Weight approx.	341 Lbs.	365.2 Lbs.
Dimensions (L x W x H)	25.7 x 22.4 x 24.9 inches	29.1 x 23.6 x 24.0 inches
Gas inlet / outlet	G 4" / G 4"	Hose connection Ø 150 mm / Hose connection Ø 150 mm

DO YOU WANT TO KNOW MORE?

Get in touch with us directly!
info@buschusa.com or +1 757 463 7800



CONTACT FORM



CALL NOW