

SECO DC 0063-0100 B/C

Dry-running rotary vane vacuum pumps/compressors



VACUUM SOLUTIONS



Compact

Direct-drive construction, including vacuum and pressure regulation valves

Reliable

Robust construction, proven performance, self-lubricating vanes, no operating fluids, specially designed for the printing industry

High performance

High performance vanes, extended lifetime, extremely resistant to wear and humidity

Accessories

- Inlet filter
- Hose nipple

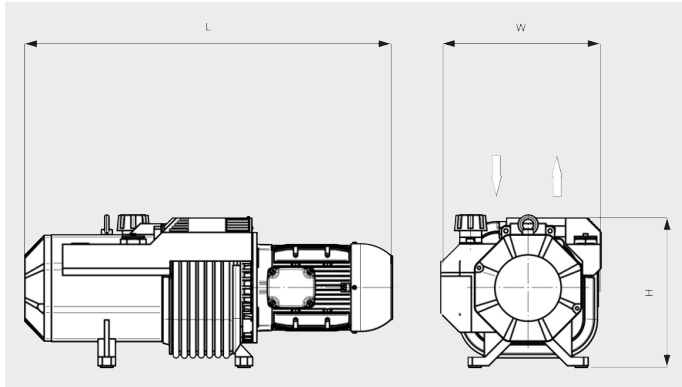
SECO DC 0063-0100 B/C

Dry-running rotary vane vacuum pumps/compressors



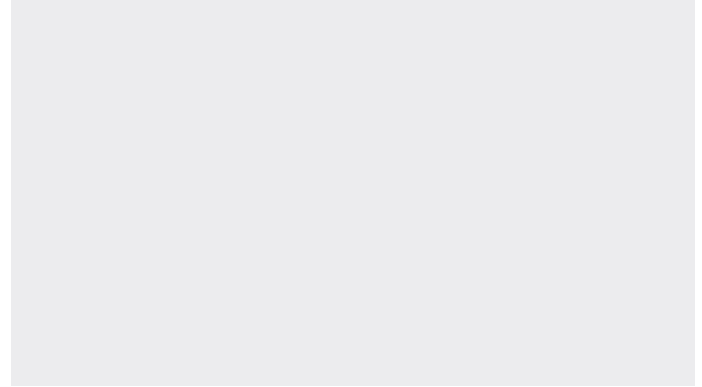
VACUUM SOLUTIONS

Dimensional drawing



Pumping speed / Volume flow

Air at 20°C. Tolerance: ± 10%



| | SECO DC 0063 B | SECO DC 0080 B | SECO DC 0100 C | SECO DC 0140 C |
|-----------------------------|---------------------------|---------------------------|---------------------------|---------------------------|
| Pumping speed / Volume flow | 38 ACFM | 57 ACFM | 64 ACFM | 80 ACFM |
| Vacuum | -8.7 PSIG | -8.7 PSIG | -8.7 PSIG | -8.7 PSIG |
| Overpressure | 8.7 PSIG | 8.7 PSIG | 8.7 PSIG | 8.7 PSIG |
| Nominal motor rating | 4.6 HP | 5.6 HP | 7.4 HP | 10 HP |
| Nominal motor speed | 1800 RPM | 1800 RPM | 1800 RPM | 1800 RPM |
| Noise level (ISO 2151) | 76 dB(A) | 77 dB(A) | 78 dB(A) | 79 dB(A) |
| Blast air temperature | 118 °F | 126 °F | 144 °F | 144 °F |
| Weight approx. | 183 Lbs. | 205 Lbs. | 287 Lbs. | 309 Lbs. |
| Dimensions (L x W x H) | 29.4 x 17.4 x 13.2 inches | 30.2 x 17.4 x 13.2 inches | 33.4 x 14.8 x 13.2 inches | 38.4 x 17.3 x 14.6 inches |
| Gas inlet / outlet | G 1 ¼" / G 1 ¼" | G 1 ¼" / G 1 ¼" | G 1 ¼" / G 1 ¼" | G 1 ½" / G 1 ½" |

DO YOU WANT TO KNOW MORE?

Get in touch with us directly!
info@buschusa.com or +1 757 463 7800



CONTACT FORM



CALL NOW