

SECO SD 1063-1100 B/C

Dry-running rotary vane compressors



VACUUM SOLUTIONS



Compact

Direct-drive construction

Reliable

Robust construction, proven performance, self-lubricating vanes, no operating fluids

High performance

High performance Aerodur 274 Zirkon vanes, extended lifetime, extremely resistant to wear and humidity

Accessories

- Inlet filter
- Non-return valve (exhaust)
- Hose nipple
- Pressure relief valve
- Vacuum regulation valve

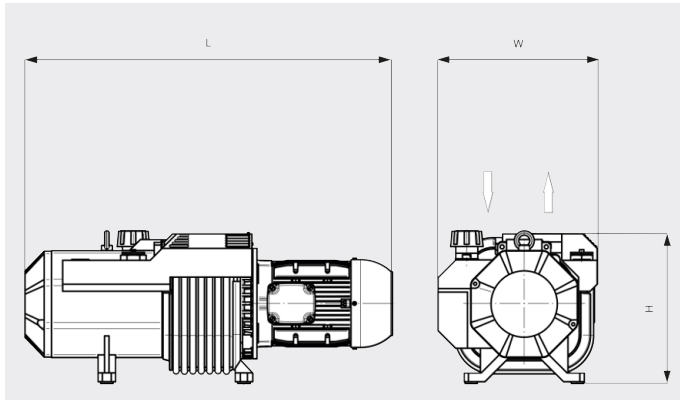
SECO SD 1063-1100 B/C

Dry-running rotary vane compressors



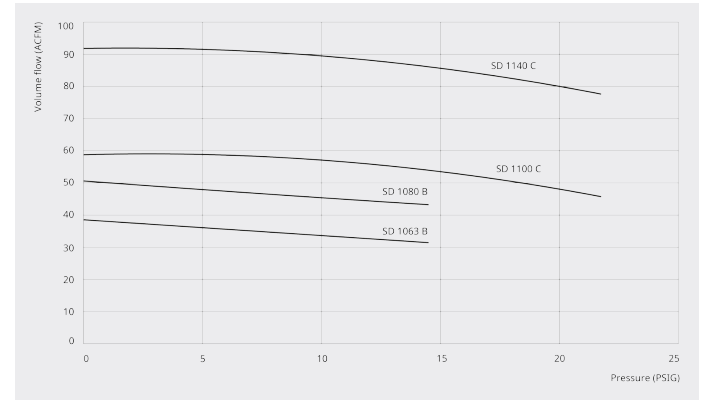
VACUUM SOLUTIONS

Dimensional drawing



Volume flow

Air at 70°F. Tolerance: ± 10%



| | SECO SD 1063 B | SECO SD 1080 B | SECO SD 1100 C | SECO SD 1140 C |
|-------------------------------|---------------------------|---------------------------|---------------------------|---------------------------|
| Volume flow | 38 ACFM | 51 ACFM | 59 ACFM | 92 ACFM |
| Overpressure | 14.5 PSIG | 14.5 PSIG | 21.8 PSIG | 21.8 PSIG |
| Nominal motor rating | 4.0 HP | 5.4 HP | 10 HP | 12 HP |
| Nominal motor speed | 1800 RPM | 1800 RPM | 1800 RPM | 1800 RPM |
| Noise level (ISO 2151) | 76 dB(A) | 77 dB(A) | 78 dB(A) | 79 dB(A) |
| Weight approx. | 181 Lbs. | 207 Lbs. | 309 Lbs. | 320 Lbs. |
| Dimensions (L x W x H) | 30.1 x 16.9 x 13.4 inches | 31.4 x 16.9 x 13.4 inches | 33.4 x 14.8 x 13.6 inches | 34.4 x 17.3 x 14.6 inches |
| Gas inlet / outlet | G 1 ¼" / G 1 ¼" | G 1 ¼" / G 1 ¼" | G 1 ¼" / G 1 ¼" | G 1 ½" / G 1 ½" |

DO YOU WANT TO KNOW MORE?

Get in touch with us directly!
info@buschusa.com or +1 757 463 7800



CONTACT FORM



CALL NOW