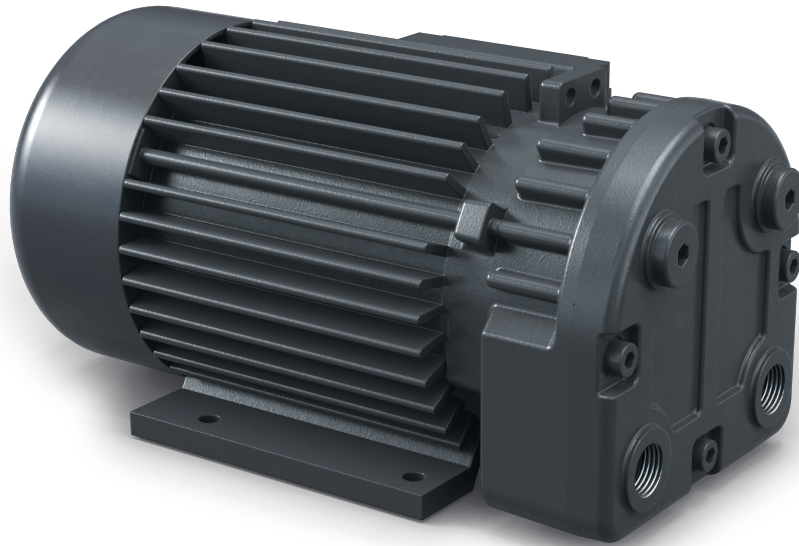


SECO SV 1008 C

Dry-running rotary vane vacuum pumps



VACUUM SOLUTIONS



Compact

Direct-drive construction

Reliable

Robust construction, proven performance, self-lubricating vanes, no operating fluids

High performance

High uptime, high performance vanes

Accessories

- Inlet filter
- Vacuum regulating unit
- Non-return valve (inlet)
- Hose nipple

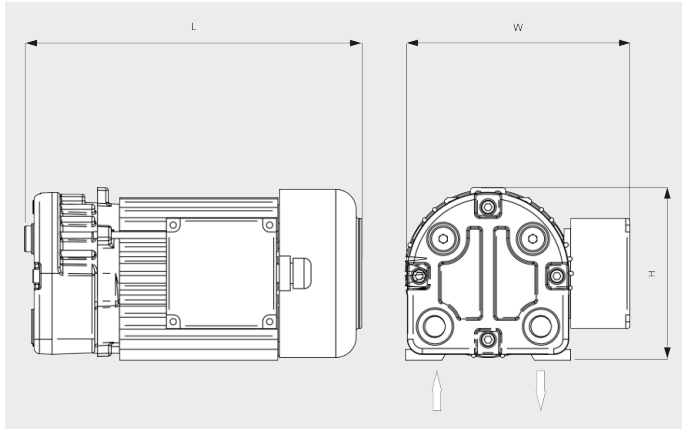
SECO SV 1008 C

Dry-running rotary vane vacuum pumps



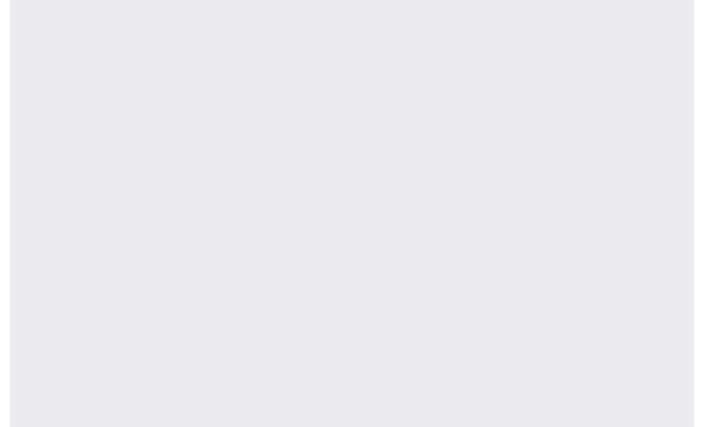
VACUUM SOLUTIONS

Dimensional drawing



Pumping speed

Air at 70°F. Tolerance: ± 10%



SECO SV 1008 C	
Nominal pumping speed	5.0 ACFM
Ultimate pressure	112.5 TORR
Nominal motor rating	0.4 HP
Nominal motor speed	3600 RPM
Noise level (ISO 2151)	66 dB(A)
Weight approx.	19 Lbs.
Dimensions (L x W x H)	10 x 6 x 5 inches
Gas inlet / outlet	G 3/8" / G 3/8"

DO YOU WANT TO KNOW MORE?

Get in touch with us directly!
info@buschusa.com or +1 757 463 7800



CONTACT FORM



CALL NOW