

# COBRA NC 0400-1000 B/C

Dry screw vacuum pumps



VACUUM SOLUTIONS



## High performance

Advanced screw design, patented self-balancing screws, perfectly suited for chemical processes, distillation and vacuum drying

## Efficient

Low cost of ownership, minimal maintenance, long service intervals, high uptime, efficient water cooling

## Flexible

Air cooling, various sealing and coating configurations as well as ATEX-certified versions available

Accessories

- Various sealing and coating configurations
- ATEX-certified versions available

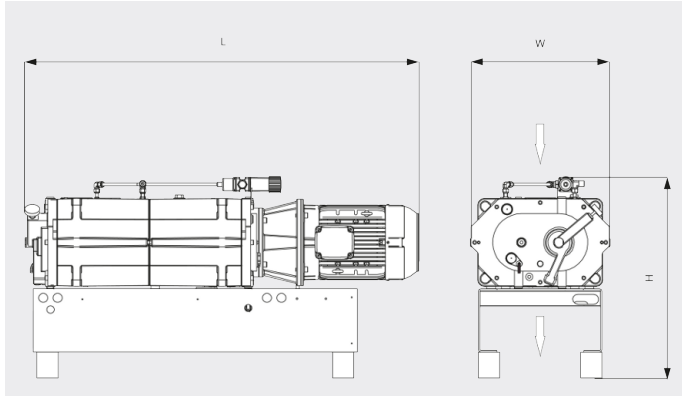
# COBRA NC 0400-1000 B/C

Dry screw vacuum pumps



VACUUM SOLUTIONS

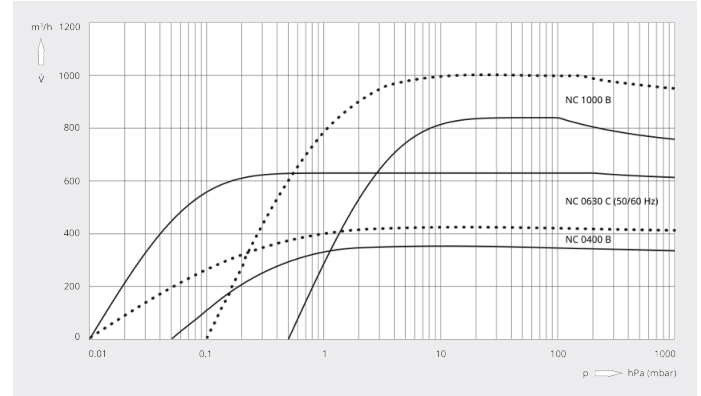
Dimensional drawing



Pumping speed

Air at 20°C. Tolerance: ± 10%

— 50 Hz ..... 60 Hz



	COBRA NC 0400 B	COBRA NC 0630 C	COBRA NC 1000 B
<b>Pumping speed</b>	247 ACFM	371 ACFM	590 ACFM
<b>Ultimate pressure</b>	≤ 0.0075 TORR	≤ 0.0075 TORR	≤ 0.0075 TORR
<b>Nominal motor rating</b>	15 HP	20 HP	40 HP
<b>Nominal motor speed</b>	3600 RPM	3600 RPM	3600 RPM
<b>Noise level (ISO 2151)</b>	69 dB(A)	75 dB(A)	81 dB(A)
<b>Weight approx.</b>	1433 Lbs.	1645 Lbs.	3050 Lbs.
<b>Dimensions (L x W x H)</b>	71.5 x 23.6 x 30.7 inches	71.3 x 29.9 x 30.4 inches	92 x 35.1 x 42.9 inches
<b>Gas inlet / outlet</b>	3" ANSI/NPT / 3" ANSI/NPT	3" ANSI/NPT / 3" ANSI/NPT	5" ANSI/NPT / 5" ANSI/NPT

## DO YOU WANT TO KNOW MORE?

Get in touch with us directly!  
[info@buschusa.com](mailto:info@buschusa.com) or +1 757 463 7800



CONTACT FORM



CALL NOW