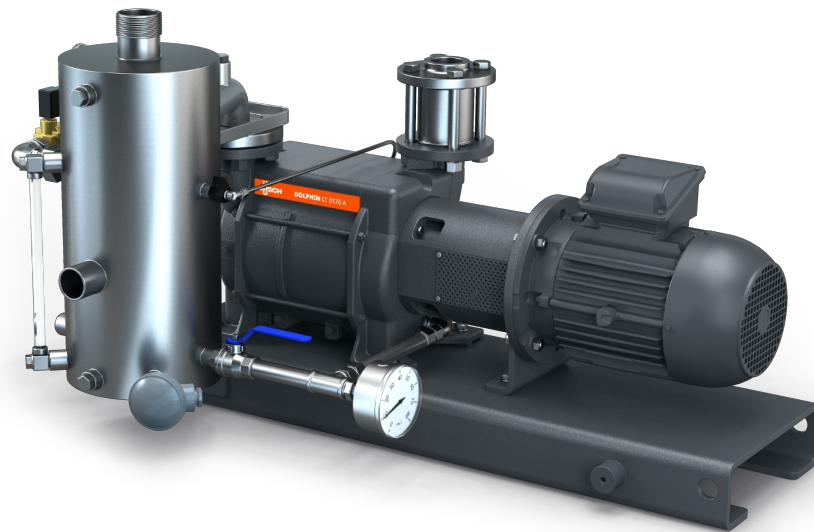


# DOLPHIN VL 0100-0270 A Partial Recirculation

Liquid ring vacuum pump units



## Robust

Proven technology, reliable operation, corrosion-free stainless steel impeller, extremely high vapor and particle tolerance, part of the operating fluid is recirculated, fresh liquid introduced in sufficient quantity to maintain proper temperature

## All-in-One

Unit with base frame, operating fluid separator, control system, including inlet check valve, fresh liquid supply kit, level indicator with switches, temperature and pressure indicators and cavitation protection

## Flexible

Choice of cast iron (EN-GJL-200) or 316 grade stainless steel material housings, ATEX-certified version available (Cat. 1 (i/o) IIC, T4), operating fluids other than water possible

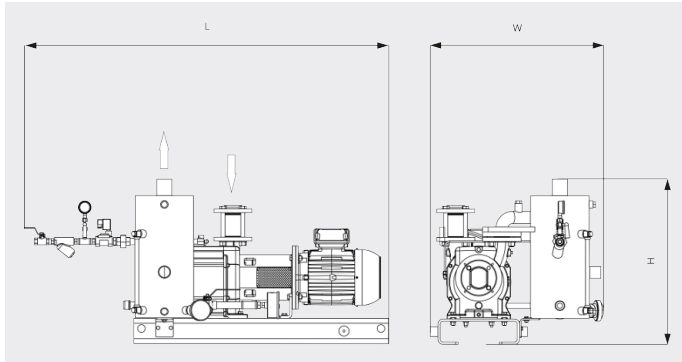
# DOLPHIN VL 0100-0270 A Partial Recirculation

Liquid ring vacuum pump units

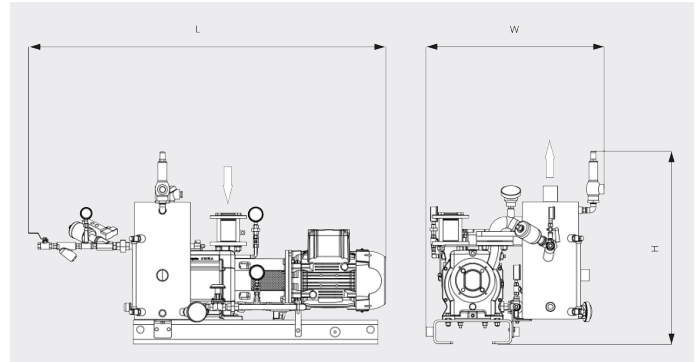


VACUUM SOLUTIONS

Dimensional drawing



Dimensional drawing



	DOLPHIN VL 0100 A Partial Recirculation	DOLPHIN VL 0180 A Partial Recirculation	DOLPHIN VL 0270 A Partial Recirculation
<b>Nominal pumping speed</b>	57.7 ACFM	105.9 ACFM	157.1 ACFM
<b>Ultimate pressure</b>	97.5 TORR	97.5 TORR	97.5 TORR
<b>Nominal motor rating</b>	4.0 HP	7.4 HP	10.1 HP
<b>Weight approx.</b>	385 / 451 Lbs. (Safe / ATEX)	411.4 / 477.4 Lbs. (Safe / ATEX)	506 / 631.4 Lbs. (Safe / ATEX)
<b>Dimensions (L x W x H)</b>	51.6 x 26.8 x 25.5 / 53 x 28.6 x 31 inches (Safe / ATEX)	53.4 x 26.7 x 25.5 / 55.7 x 28.6 x 31 inches (Safe / ATEX)	57.6 x 26.7 x 25.5 / 60.4 x 28.6 x 31 inches (Safe / ATEX)
<b>Gas inlet / outlet</b>	G 1½" / R 2"	G 1½" / R 2"	G 1½" / R 2"

## DO YOU WANT TO KNOW MORE?

Get in touch with us directly!  
[info@buschusa.com](mailto:info@buschusa.com) or +1 757 463 7800



CONTACT FORM



CALL NOW