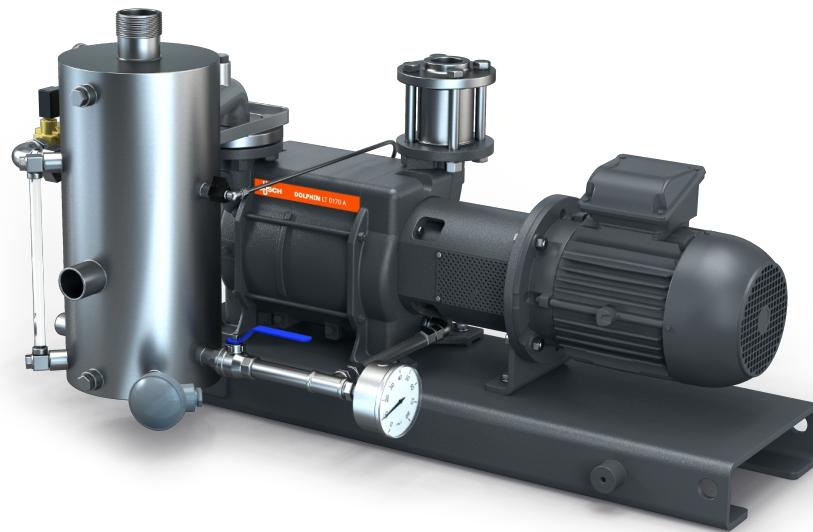


DOLPHIN VL 0130-0320 A Partial Recirculation

Liquid ring vacuum pump units



VACUUM SOLUTIONS



Robust

Proven technology, reliable operation, corrosion-free stainless steel impeller, extremely high vapor and particle tolerance, part of the operating fluid is recirculated, fresh liquid introduced in sufficient quantity to maintain proper temperature

All-in-One

Unit with base frame, operating fluid separator, control system, including inlet check valve, fresh liquid supply kit, level indicator with switches, temperature and pressure indicators and cavitation protection

Flexible

Choice of cast iron (EN-GJL-200) or 316 grade stainless steel material housings, ATEX-certified version available (Cat. 1 (i/o) IIC, T4), operating fluids other than water possible

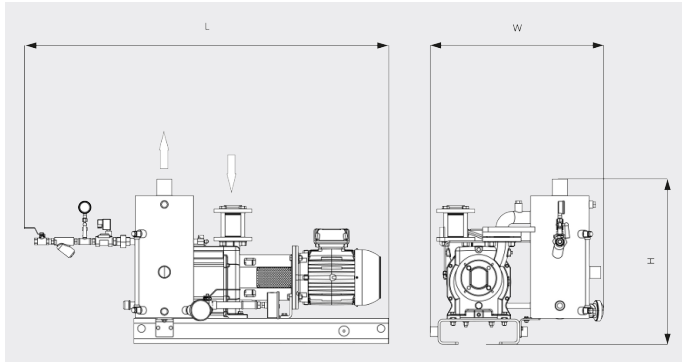
DOLPHIN VL 0130-0320 A Partial Recirculation

Liquid ring vacuum pump units

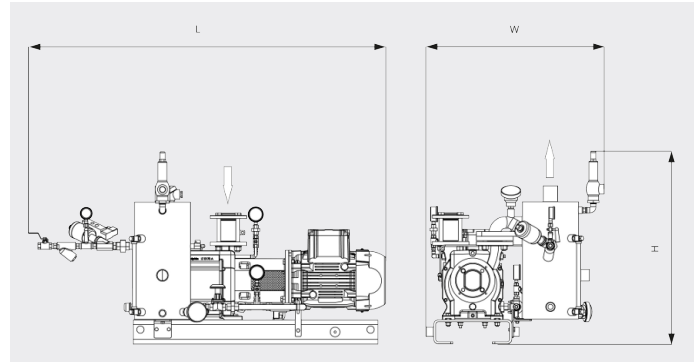


VACUUM SOLUTIONS

Dimensional drawing



Dimensional drawing



	DOLPHIN VL 0130 A Partial Recirculation	DOLPHIN VL 0170 A Partial Recirculation	DOLPHIN VL 0220 A Partial Recirculation	DOLPHIN VL 0320 A Partial Recirculation
Nominal pumping speed	75.3 ACFM	97.1 ACFM	136.5 ACFM	188.3 ACFM
Ultimate pressure	25 TORR	25 TORR	25 TORR	25 TORR
Nominal motor rating	5.4 HP	7.4 HP	10.1 HP	14.8 HP
Weight approx.	462 / 517 Lbs. (Safe / ATEX)	484 / 554.4 Lbs. (Safe / ATEX)	574.2 / 660 Lbs. (Safe / ATEX)	840.4 / 913 Lbs. (Safe / ATEX)
Dimensions (L x W x H)	57.5 x 26.7 x 25.5 / 57.4 x 28.6 x 31 inches (Safe / ATEX)	57.5 x 26.7 x 25.5 / 58.7 x 28.6 x 31 inches (Safe / ATEX)	61.3 x 26.7 x 25.5 / 64.1 x 28.6 x 31 inches (Safe / ATEX)	72.8 x 33.9 x 37.3 / 72.7 x 36.7 x 41.9 inches (Safe / ATEX)
Gas inlet / outlet	G 1½" / R 2"	G 1½" / R 2"	G 1½" / R 2"	G 2" / R 3"

DO YOU WANT TO KNOW MORE?

Get in touch with us directly!
info@buschusa.com or +1 757 463 7800



CONTACT FORM



CALL NOW