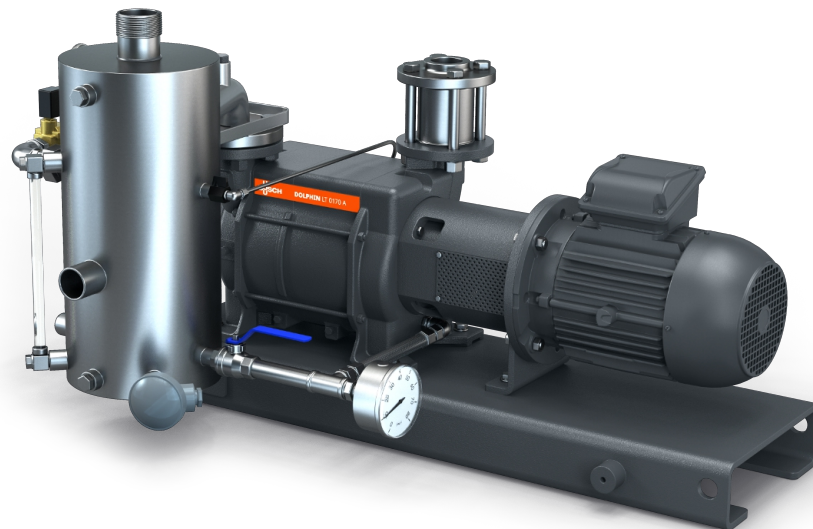


# DOLPHIN VL 0430-0750 A Partial Recirculation

Liquid ring vacuum pump units



## Robust

Proven technology, reliable operation, corrosion-free stainless steel impeller, extremely high vapor and particle tolerance, part of the operating fluid is recirculated, fresh liquid introduced in sufficient quantity to maintain proper temperature

## All-in-One

Unit with base frame, operating fluid separator, control system, including inlet check valve, fresh liquid supply kit, level indicator with switches, temperature and pressure indicators and cavitation protection

## Flexible

Choice of cast iron (EN-GJL-200) or 316 grade stainless steel material housings, ATEX-certified version available (Cat. 1 (i/o) IIC, T4), operating fluids other than water possible

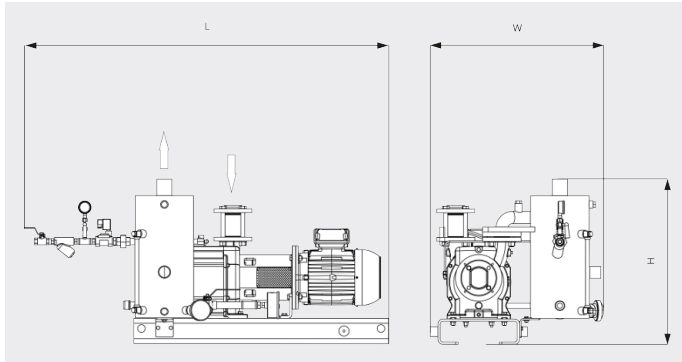
# DOLPHIN VL 0430-0750 A Partial Recirculation

Liquid ring vacuum pump units

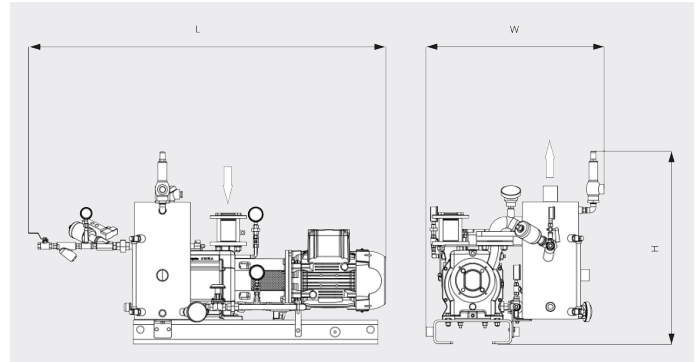


VACUUM SOLUTIONS

Dimensional drawing



Dimensional drawing



	DOLPHIN VL 0430 A Partial Recirculation	DOLPHIN VL 0510 A Partial Recirculation	DOLPHIN VL 0630 A Partial Recirculation	DOLPHIN VL 0750 A Partial Recirculation
<b>Nominal pumping speed</b>	250.7 ACFM	300.1 ACFM	340.2 ACFM	417.8 ACFM
<b>Ultimate pressure</b>	25 TORR	25 TORR	25 TORR	25 TORR
<b>Nominal motor rating</b>	20.1 HP	20.1 HP	29.5 HP	40.2 HP
<b>Weight approx.</b>	957 / 1047.2 Lbs. (Safe / ATEX)	1023 / 1161.6 Lbs. (Safe / ATEX)	1190.2 / 1293.6 Lbs. (Safe / ATEX)	1280.4 / 1454.2 Lbs. (Safe / ATEX)
<b>Dimensions (L x W x H)</b>	73 x 33.9 x 37.3 / 77.6 x 36.7 x 41.9 inches (Safe / ATEX)	75.3 x 33.9 x 37.3 / 79.9 x 36.7 x 41.9 inches (Safe / ATEX)	84.5 x 37.6 x 37.9 / 84.4 x 41.7 x 46.4 inches (Safe / ATEX)	84.7 x 37.6 x 37.9 / 88.1 x 41.7 x 46.4 inches (Safe / ATEX)
<b>Gas inlet / outlet</b>	G 2" / R 3"	G 2" / R 3"	G 2½" / R 4"	G 2½" / R 4"

## DO YOU WANT TO KNOW MORE?

Get in touch with us directly!  
[info@buschusa.com](mailto:info@buschusa.com) or +1 757 463 7800



CONTACT FORM



CALL NOW