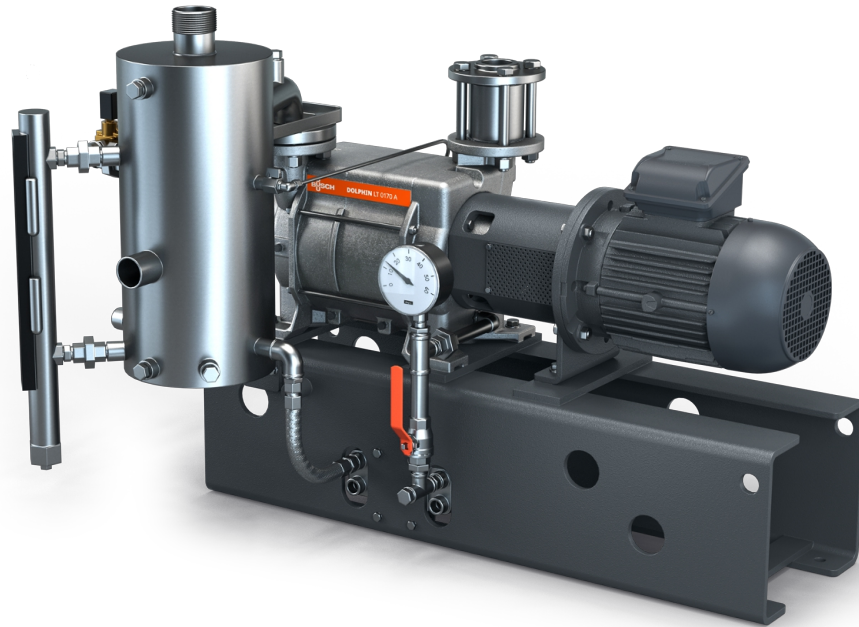


# DOLPHIN VL 0430-0750 A Total Recirculation

Liquid ring vacuum pump units



VACUUM SOLUTIONS



## Robust

Proven technology, reliable operation, corrosion-free stainless steel impeller, extremely high vapor and particle tolerance, choice of cast iron (EN-GJL-200) or 316 grade stainless steel material housings, ATEX-certified version available (Cat. 1 (i/o) IIC, T4)

## All-in-One

Unit with base frame, operating fluid separator, heat exchanger, control system, including inlet check valve, fresh liquid supply kit, level indicator with switches, temperature and pressure indicators and cavitation protection

## Efficient

Full recirculation of operating fluid, low operating fluid consumption, recovery of condensed vapors and process gases, isolation of cooling liquid from operating fluid, operating fluids other than water possible

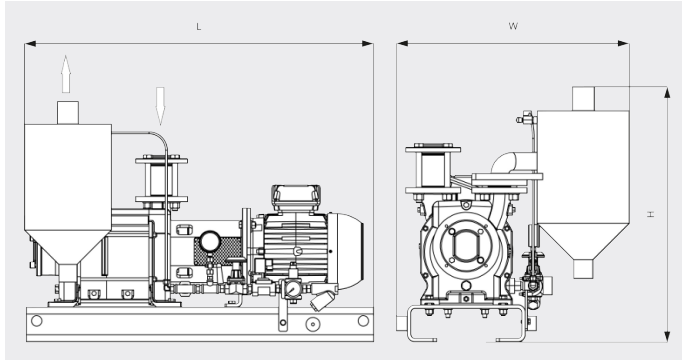
# DOLPHIN VL 0430-0750 A Total Recirculation

Liquid ring vacuum pump units

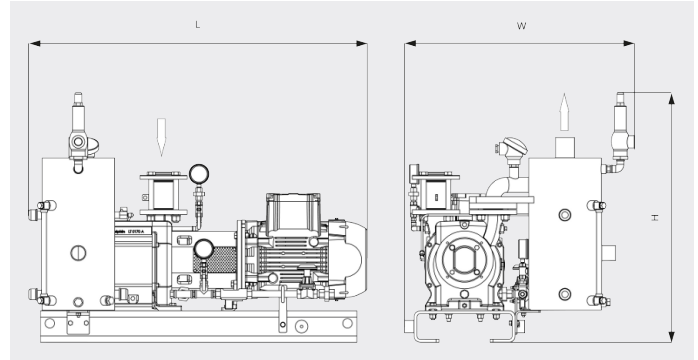


VACUUM SOLUTIONS

Dimensional drawing



Dimensional drawing



	DOLPHIN VL 0430 A Total Recirculation	DOLPHIN VL 0510 A Total Recirculation	DOLPHIN VL 0630 A Total Recirculation	DOLPHIN VL 0750 A Total Recirculation
<b>Nominal pumping speed</b>	250.7 ACFM	300.1 ACFM	340.2 ACFM	417.8 ACFM
<b>Ultimate pressure</b>	25 TORR	25 TORR	25 TORR	25 TORR
<b>Nominal motor rating</b>	20.1 HP	20.1 HP	29.5 HP	40.2 HP
<b>Weight approx.</b>	1045 / 1133 Lbs. (Safe / ATEX)	1111 / 1240.8 Lbs. (Safe / ATEX)	1282.6 / 1368.4 Lbs. (Safe / ATEX)	1386 / 1540 Lbs. (Safe / ATEX)
<b>Dimensions (L x W x H)</b>	74.7 x 33.6 x 44.4 / 77.6 x 37.1 x 49.1 inches (Safe / ATEX)	75.3 x 35.2 x 44.4 / 79.9 x 37.1 x 49.1 inches (Safe / ATEX)	811.7 x 38.5 x 45 / 84.1 x 42.1 x 53.6 inches (Safe / ATEX)	84.9 x 38.5 x 45 / 88.1 x 42.1 x 53.6 inches (Safe / ATEX)
<b>Gas inlet / outlet</b>	G 2" / R 3"	G 2" / R 3"	G 2½" / R 4"	G 2½" / R 4"

## DO YOU WANT TO KNOW MORE?

Get in touch with us directly!  
[info@buschusa.com](mailto:info@buschusa.com) or +1 757 463 7800



CONTACT FORM



CALL NOW