

# APOVAC AP 0430–0750 A

Vacuum systems for chemical and pharmaceutical industries



## Proven performance

Standard vacuum system with proven DOLPHIN liquid ring vacuum pumps, specially designed for major processes in chemical and pharmaceutical industries, such as distillation, crystallization, filtration, vacuum drying

## Robust

Handling of toxic, corrosive or explosive gases, extremely high vapor and particle tolerance, for harsh process conditions, double condensation to ensure minimum carryover and maximum solvent recovery

## Cost-effective

Low operating costs, high uptime, minimal maintenance, long service life

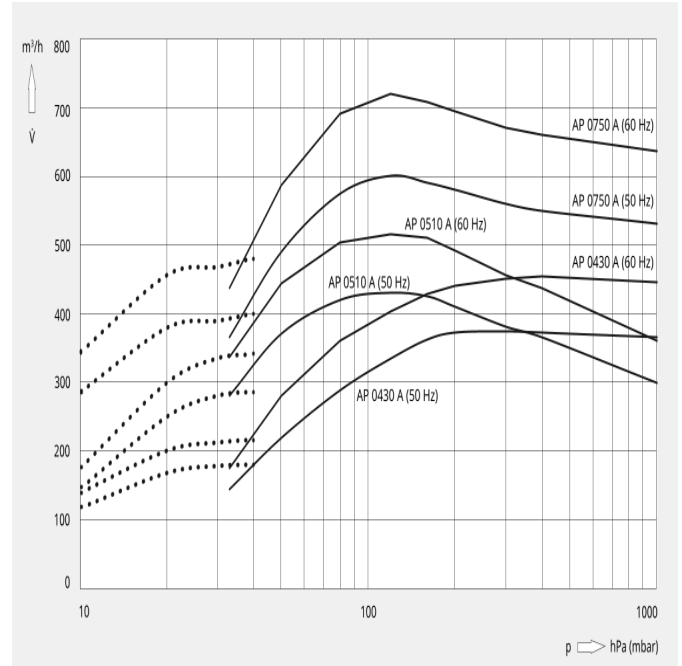
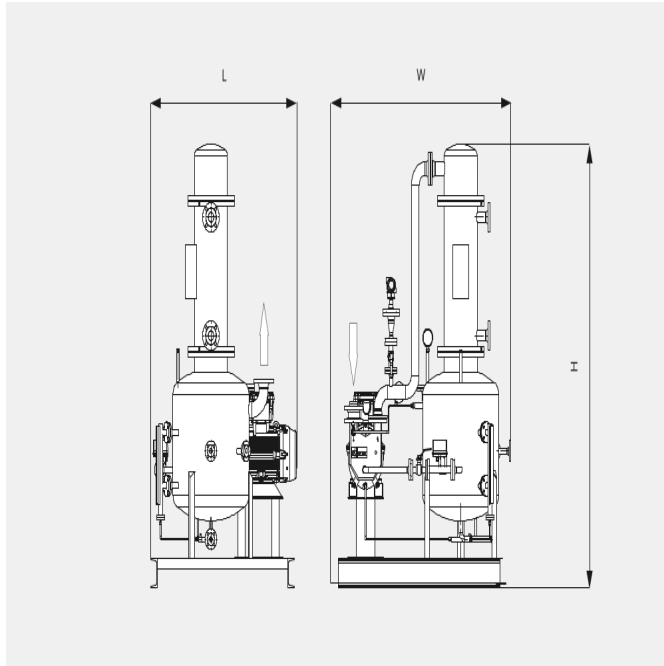
# APOVAC AP 0430–0750 A

Vacuum systems for chemical and pharmaceutical industries



VACUUM SOLUTIONS

## Dimensional drawing



The following technical values refer to ISO 50 Hz

|                               | AP 0430 A              | AP 0510 A              | AP 0750 A              |
|-------------------------------|------------------------|------------------------|------------------------|
| <b>Nominal pumping speed</b>  | 372 m <sup>3</sup> /h  | 430 m <sup>3</sup> /h  | 617 m <sup>3</sup> /h  |
| <b>Ultimate pressure</b>      | 33 hPa (mbar)          | 33 hPa (mbar)          | 33 hPa (mbar)          |
| <b>Nominal motor rating</b>   | 11.0 kW                | 15.0 kW                | 18.5 kW                |
| <b>Nominal motor speed</b>    | 1450 min <sup>-1</sup> | 1450 min <sup>-1</sup> | 1450 min <sup>-1</sup> |
| <b>Weight approx.</b>         | 840 kg                 | 900 kg                 | 950 kg                 |
| <b>Dimensions (L x W x H)</b> | 1600 x 1400 x 2500 mm  | 1600 x 1400 x 2500 mm  | 1600 x 1400 x 2500 mm  |
| <b>Gas inlet</b>              | DN 65                  | DN 50                  | DN 65                  |
| <b>Gas outlet</b>             | DN 80                  | DN 80                  | DN 80                  |

The following technical values refer to ISO 60 Hz

|                              | AP 0430 A             | AP 0510 A             | AP 0750 A             |
|------------------------------|-----------------------|-----------------------|-----------------------|
| <b>Nominal pumping speed</b> | 455 m <sup>3</sup> /h | 510 m <sup>3</sup> /h | 710 m <sup>3</sup> /h |

# APOVAC AP 0430–0750 A

Vacuum systems for chemical and pharmaceutical industries



VACUUM SOLUTIONS

|                               | AP 0430 A                             | AP 0510 A                             | AP 0750 A                             |
|-------------------------------|---------------------------------------|---------------------------------------|---------------------------------------|
| <b>Ultimate pressure</b>      | 10 (with optional ejector) hPa (mbar) | 10 (with optional ejector) hPa (mbar) | 10 (with optional ejector) hPa (mbar) |
| <b>Nominal motor rating</b>   | 15.0 kW                               | 18.5 kW                               | 30.0 kW                               |
| <b>Nominal motor speed</b>    | 1750 min <sup>-1</sup>                | 1750 min <sup>-1</sup>                | 1750 min <sup>-1</sup>                |
| <b>Weight approx.</b>         | 840 kg                                | 900 kg                                | 950 kg                                |
| <b>Dimensions (L x W x H)</b> | 1600 x 1400 x 2500 mm                 | 1600 x 1400 x 2500 mm                 | 1600 x 1400 x 2500 mm                 |
| <b>Gas inlet</b>              | DN 65                                 | DN 50                                 | DN 65                                 |
| <b>Gas outlet</b>             | DN 80                                 | DN 80                                 | DN 80                                 |

DO YOU WANT TO KNOW MORE

Please contact us!  
contact-uk@busch.co.uk or +44 (0) 1952 98 93 15



CONTACT FORM



CALL US NOW