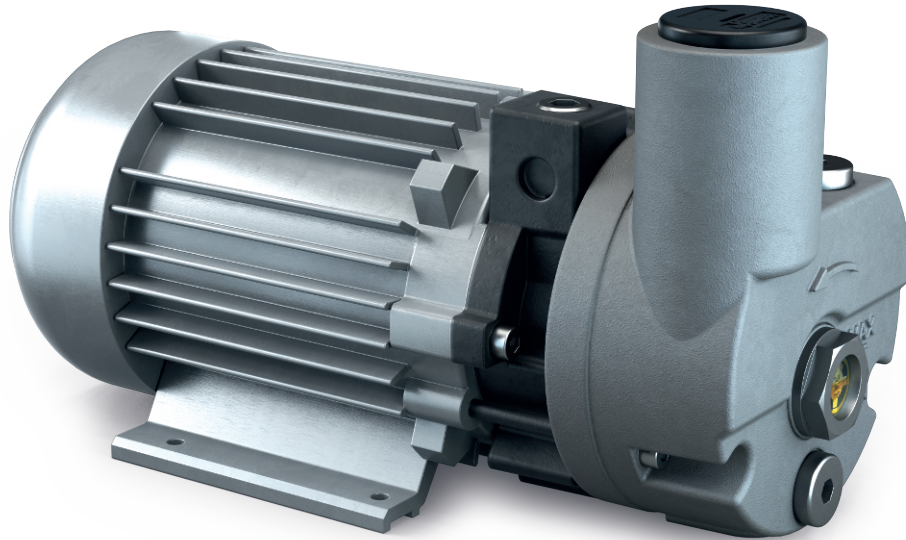


R5 PB 0004/0008 C

Oil-lubricated rotary vane vacuum pumps



VACUUM SOLUTIONS



Compact

Block construction, reduced height and weight, ideal for installations in confined spaces

Reliable

Robust construction, highly durable vanes, proven rotary vane technology, long service life

Quiet

Low noise level, ideal for use in deli counters or restaurants

Accessories

- Gas-ballast valve (for R 5 PB 0008 C only)
- Various inlet filters
- Vacuum pump oils for all applications

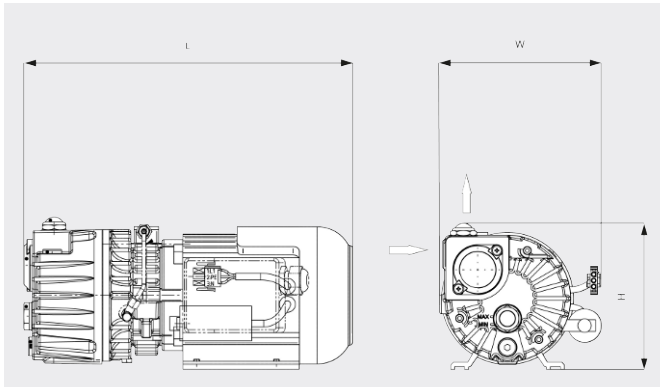
R5 PB 0004/0008 C

Oil-lubricated rotary vane vacuum pumps



VACUUM SOLUTIONS

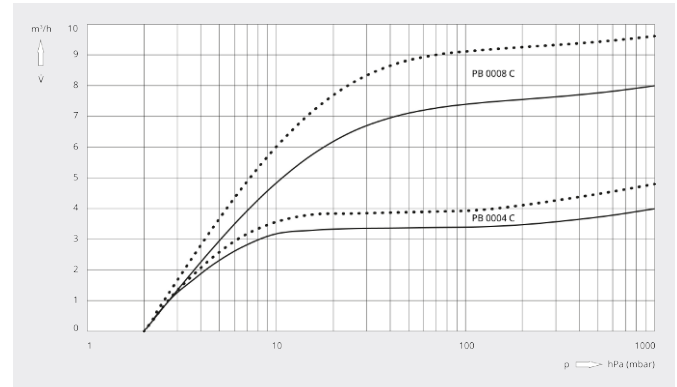
Dimensional drawing



Pumping speed

Air at 20°C. Tolerance: ± 10%

— 50 Hz 60 Hz



	R5 PB 0004 C	R5 PB 0008 C
Nominal pumping speed	4.0 / 4.8 m ³ /h (50 / 60 Hz)	8.0 / 9.6 m ³ /h (50 / 60 Hz)
Ultimate pressure	2.0 hPa (mbar) (50 / 60 Hz)	2.0 hPa (mbar) (50 / 60 Hz)
Nominal motor rating	0.1 / 0.12 kW (50 / 60 Hz)	0.35 / 0.45 kW (50 / 60 Hz)
Nominal motor speed	3000 / 3600 min ⁻¹ (50 / 60 Hz)	3000 / 3600 min ⁻¹ (50 / 60 Hz)
Noise level (ISO 2151)	56 / 61 dB(A) (50 / 60 Hz)	60 / 64 dB(A) (50 / 60 Hz)
Oil capacity	0.06 l	0.25 l
Weight approx.	5.2 kg	10.3 kg
Dimensions (L x W x H)	231 x 133 x 141 mm	330 x 164 x 152 mm
Gas inlet	G ¼	G ¾

DO YOU WANT TO KNOW MORE?

Get in touch with us directly!
sales@busch.co.uk or +44 (0)1952 67 74 32



CONTACT FORM



CALL NOW