

# PUMA WP 0700/1000 D/D2/ D4

Vacuum boosters



VACUUM SOLUTIONS



## Reliable

Solid lobe design, robust construction made of GGG40 material

## High performance

Excellent volumetric efficiency, increases the performance of a vacuum system by up to a factor of ten, specially designed for rough and medium vacuum applications

## Flexible

Can be flanged directly on the system at any position, boosts the performance of all types of backing pumps

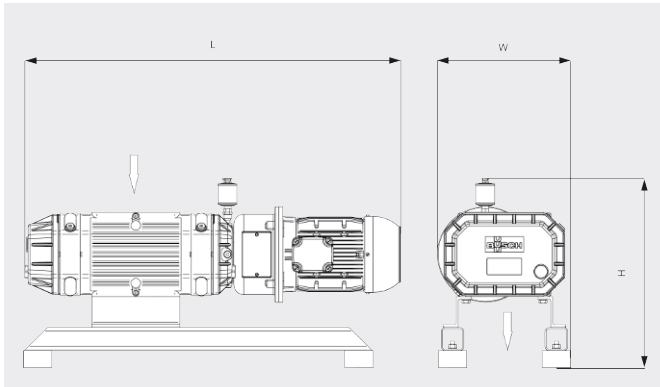
# PUMA WP 0700/1000 D/D2/D4

Vacuum boosters



VACUUM SOLUTIONS

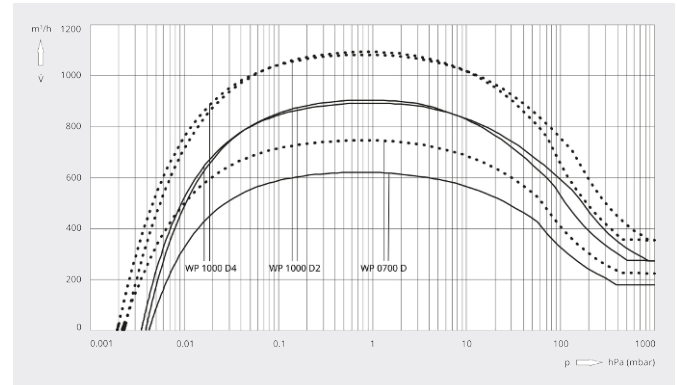
Dimensional drawing



Pumping speed

Air at 20°C. Tolerance: ± 10%

— 50 Hz ..... 60 Hz



	PUMA WP 0700 D	PUMA WP 1000 D2	PUMA WP 1000 D4
<b>Nominal pumping speed</b>	700 / 840 m³/h (50 / 60 Hz)	1000 / 1200 m³/h (50 / 60 Hz)	1000 / 1200 m³/h (50 / 60 Hz)
<b>Pumping speed</b>	620 / 750 m³/h (50 / 60 Hz)	900 / 1090 m³/h (50 / 60 Hz)	900 / 1090 m³/h (50 / 60 Hz)
<b>Max. differential pressure</b>	50 hPa (mbar) (50 / 60 Hz)	50 hPa (mbar) (50 / 60 Hz)	80 hPa (mbar) (50 / 60 Hz)
<b>Nominal motor rating</b>	3.5 / 4.8 kW (50 / 60 Hz)	3.5 / 4.8 kW (50 / 60 Hz)	5.5 / 6.6 kW (50 / 60 Hz)
<b>Nominal motor speed</b>	3000 / 3600 min <sup>-1</sup> (50 / 60 Hz)	3000 / 3600 min <sup>-1</sup> (50 / 60 Hz)	1500 / 1800 min <sup>-1</sup> (50 / 60 Hz)
<b>Weight approx.</b>	190 kg	200 kg	350 kg
<b>Dimensions (L x W x H)</b>	905 x 345 x 494 mm	992 x 345 x 494 mm	1244 x 420 x 578 mm
<b>Gas inlet / outlet</b>	DN 100 ISO / DN 100 ISO	DN 160 ISO / DN 160 ISO	DN 160 ISO / DN 160 ISO

DO YOU WANT TO KNOW MORE?

Get in touch with us directly!  
[sales@busch.co.uk](mailto:sales@busch.co.uk) or +44 (0)1952 67 74 32



CONTACT FORM



CALL NOW