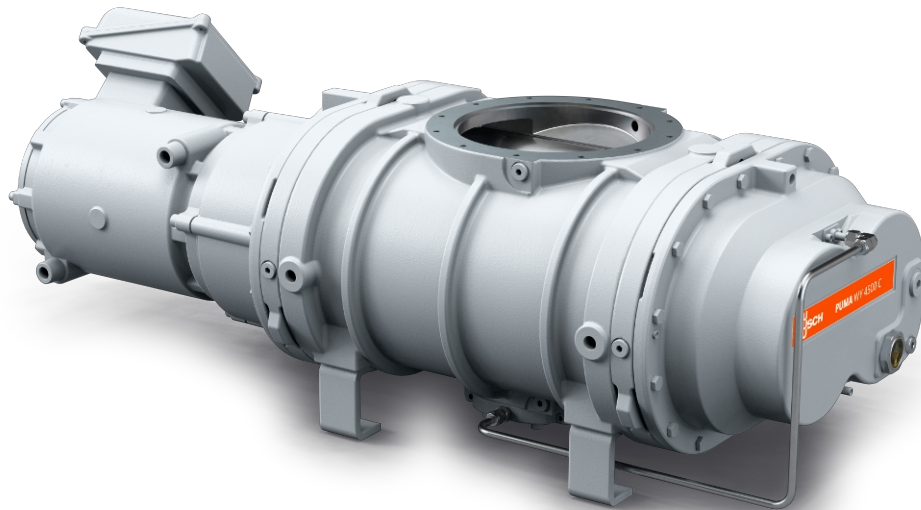


PUMA WY 2000/4500 C

Vacuum boosters



VACUUM SOLUTIONS



Reliable

Solid lobe design, robust construction made of GGG40 material, leak-tight, reliable under varying operating conditions

High performance

Excellent volumetric efficiency, increases the performance of a vacuum system by up to a factor of ten, specially designed for medium and high vacuum including semiconductor applications

Flexible

Can be flanged directly on the system at any position, boosts the performance of all types of backing pumps

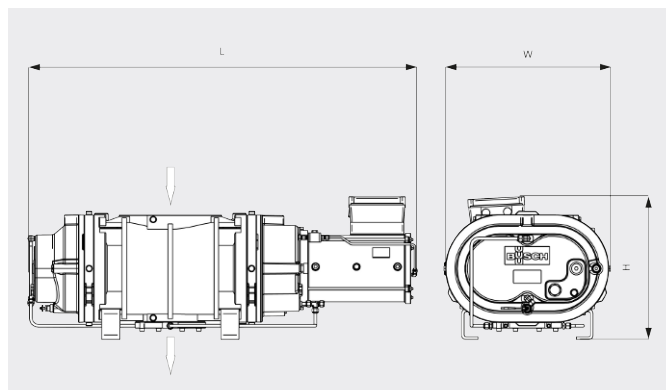
PUMA WY 2000/4500 C

Vacuum boosters



VACUUM SOLUTIONS

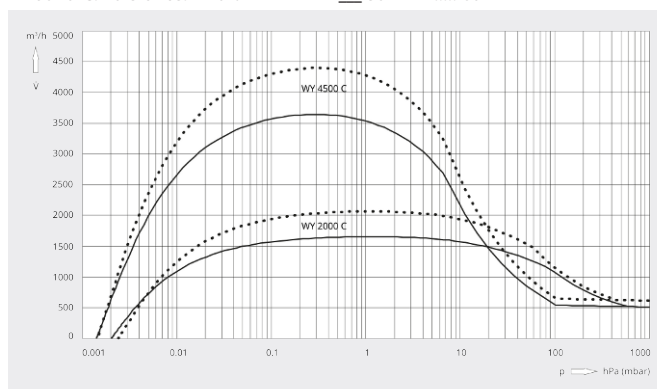
Dimensional drawing



Pumping speed

Air at 20°C. Tolerance: ± 10%

— 50 Hz 60 Hz



| | PUMA WY 2000 C | PUMA WY 4500 C |
|----------------------------|--|--|
| Nominal pumping speed | 2010 / 2435 m³/h (50 / 60 Hz) | 4500 / 5400 m³/h (50 / 60 Hz) |
| Pumping speed | 1655 / 2066 m³/h (50 / 60 Hz) | 3642 / 4397 m³/h (50 / 60 Hz) |
| Max. differential pressure | 50 hPa (mbar) (50 / 60 Hz) | 30 hPa (mbar) (50 / 60 Hz) |
| Nominal motor rating | 5.5 / 6.6 kW (50 / 60 Hz) | 15 kW (50 / 60 Hz) |
| Nominal motor speed | 3000 / 3600 min ⁻¹ (50 / 60 Hz) | 3000 / 3600 min ⁻¹ (50 / 60 Hz) |
| Weight approx. | 280 kg | 600 kg |
| Leakage rate | < 1 · 10 ⁻⁶ mbar · l/s | < 1 · 10 ⁻⁶ mbar · l/s |
| Dimensions (L x W x H) | 936 x 390 x 270 mm | 1283 x 543 x 476 mm |
| Gas inlet / outlet | DN 160 ISO / DN 160 ISO | DN 250 ISO / DN 100 ISO |

DO YOU WANT TO KNOW MORE?

Get in touch with us directly!
sales@busch.co.uk or +44 (0)1952 67 74 32



CONTACT FORM



CALL NOW