

MINK MV 0040-0080 D Synchro

Dry claw vacuum pumps



VACUUM SOLUTIONS



Quiet

Low noise level due to a state-of-the-art acoustic design, significantly reduced pulsation, can be installed at workstations

Efficient

Latest claw vacuum technology, intelligent variable speed drive with PID controller, low energy consumption, minimized operating costs

Compact

Small footprint

Accessories

- Parameter configuration kit for alteration of control settings by computer, including software
- Fieldbus modules
- Pressure transmitter for pressure-regulated vacuum pump operation
- Inlet filter
- Condensate drain valve (Aqua version)
- Manual control unit for easy vacuum pump control

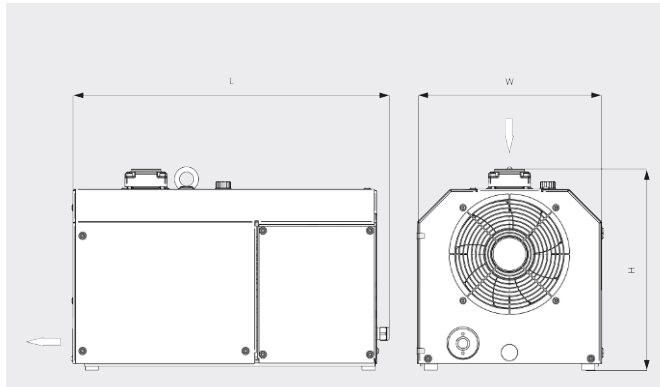
MINK MV 0040-0080 D Synchro

Dry claw vacuum pumps



VACUUM SOLUTIONS

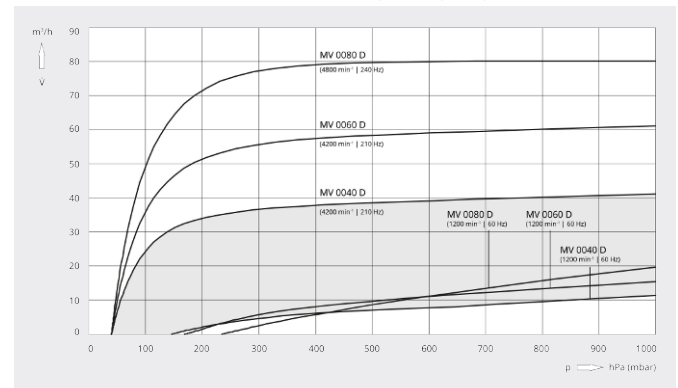
Dimensional drawing



Pumping speed

Air at 20°C. Tolerance: ± 10%

■ Operating range



	MINK MV 0040 D Synchro	MINK MV 0060 D Synchro	MINK MV 0080 D Synchro
Nominal pumping speed	40 m³/h	60 m³/h	80 m³/h
Ultimate pressure	40 hPa (mbar)	40 hPa (mbar)	40 hPa (mbar)
Power consumption (motor and fan)	1.3 kW	1.7 kW	2.1 kW
Nominal motor speed	1200 – 4200 min ⁻¹	1200 – 4200 min ⁻¹	1200 – 4800 min ⁻¹
Noise level (ISO 2151)	62 dB(A)	68 dB(A)	71 dB(A)
Weight approx.	80 kg	85 kg	87 kg
Dimensions (L x W x H)	585 x 345 x 370 mm	610 x 345 x 370 mm	610 x 345 x 370 mm
Gas inlet / outlet	G 1¼" / G ¾"	G 1¼" / G ¾"	G 1¼" / G ¾"

DO YOU WANT TO KNOW MORE?

Get in touch with us directly!
sales@busch.co.uk or +44 (0)1952 67 74 32



CONTACT FORM



CALL NOW