

# ZEBRA RH 0015-0021 B

Two-stage oil-lubricated rotary vane vacuum pumps



VACUUM SOLUTIONS



## Reliable

Specially designed for a wide range of applications in the medium vacuum range, robust construction, proven rotary vane vacuum technology

## High performance

Stable pumping speed even in low pressure range

## Quiet

Perfectly suited for research labs and low-noise working environments, < 60 dB(A) at 50 Hz

Accessories

- Inlet filter
- Oil mist separator
- Gas-ballast valve

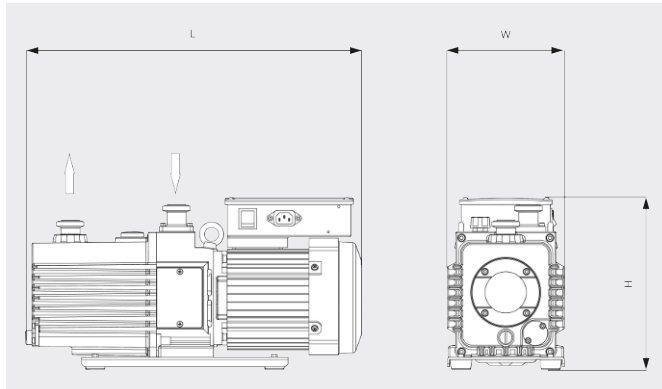
# ZEBRA RH 0015-0021 B

Two-stage oil-lubricated rotary vane vacuum pumps



VACUUM SOLUTIONS

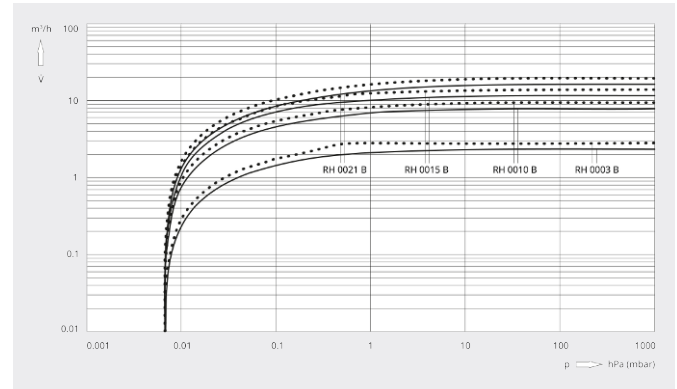
Dimensional drawing



Pumping speed

Air at 20°C. Tolerance: ± 10%

— 50 Hz ..... 60 Hz



	ZEBRA RH 0015 B	ZEBRA RH 0015 B	ZEBRA RH 0021 B	ZEBRA RH 0021 B
<b>Pumping speed</b>	12.0 / 14.4 m <sup>3</sup> /h (50 / 60 Hz)	12.0 / 14.4 m <sup>3</sup> /h (50 / 60 Hz)	16.9 / 20.2 m <sup>3</sup> /h (50 / 60 Hz)	16.9 / 20.2 m <sup>3</sup> /h (50 / 60 Hz)
<b>Pumping speed</b>	200 / 240 l/min (50 / 60 Hz)	200 / 240 l/min (50 / 60 Hz)	280 / 336 l/min (50 / 60 Hz)	280 / 336 l/min (50 / 60 Hz)
<b>Ultimate partial pressure (gas-ballast valve closed)</b>	6.7 · 10 <sup>-4</sup> hPa (mbar)	6.7 · 10 <sup>-4</sup> hPa (mbar)	6.7 · 10 <sup>-4</sup> hPa (mbar)	6.7 · 10 <sup>-4</sup> hPa (mbar)
<b>Ultimate total pressure (gas-ballast valve closed)</b>	6.7 · 10 <sup>-3</sup> hPa (mbar)	6.7 · 10 <sup>-3</sup> hPa (mbar)	6.7 · 10 <sup>-3</sup> hPa (mbar)	6.7 · 10 <sup>-3</sup> hPa (mbar)
<b>Ultimate total pressure (gas-ballast valve open)</b>	6.7 · 10 <sup>-2</sup> hPa (mbar)	6.7 · 10 <sup>-2</sup> hPa (mbar)	6.7 · 10 <sup>-2</sup> hPa (mbar)	6.7 · 10 <sup>-2</sup> hPa (mbar)
<b>Max. continuous inlet pressure</b>	100 hPa (mbar)	100 hPa (mbar)	100 hPa (mbar)	100 hPa (mbar)
<b>Max. back pressure (gauge)</b>	300 hPa (mbar)	300 hPa (mbar)	300 hPa (mbar)	300 hPa (mbar)
<b>Water vapor capacity (gas-ballast valve open)</b>	40 g/h	40 g/h	73 g/h	73 g/h
<b>Nominal motor rating</b>	0.55 kW	0.55 kW	0.75 kW	0.7 kW
<b>Operating voltage</b>	100 - 120 / 200 - 240 V (50 / 60 Hz)	200 - 240 / 380 - 415 V (50 Hz) / 200 - 240 / 380 - 460 V (60 Hz)	115 / 200 - 240 V (50 / 60 Hz)	200 - 240 / 380 - 415 V (50 Hz) / 200 - 240 / 380 - 460 V (60 Hz)
<b>Motor phase</b>	Single-phase	Three-phase	Single-phase	Three-phase
<b>Ambient temperature</b>	7 - 40 °C	7 - 40 °C	7 - 40 °C	7 - 40 °C
<b>Oil</b>	VMA 055	VMA 055	VMA 055	VMA 055
<b>Oil capacity</b>	1.1 l	1.1 l	1.1 l	1.1 l

# ZEBRA RH 0015-0021 B

Two-stage oil-lubricated rotary vane vacuum pumps



	ZEBRA RH 0015 B	ZEBRA RH 0015 B	ZEBRA RH 0021 B	ZEBRA RH 0021 B
Noise level (ISO 2151)	< 54 / < 56 dB(A) (50 / 60 Hz)	< 52 / < 55 dB(A) (50 / 60 Hz)	< 59 / < 61 dB(A) (50 / 60 Hz)	< 59 / < 63 dB(A) (50 / 60 Hz)
Weight approx.	31 kg	29 kg	42 kg	34.5 kg
Dimensions (L x W x H)	516 x 170 x 250 mm	514 x 170 x 240 mm	585 x 182 x 271 mm	536 x 181 x 269 mm
Gas inlet / outlet	ISO-KF 25 / ISO-KF 25	ISO-KF 25 / ISO-KF 25	ISO-KF 25 / ISO-KF 25	ISO-KF 25 / ISO-KF 25
Marking	cTUVus	cTUVus	cTUVus	cTUVus
Additional information	<ul style="list-style-type: none"><li>• M/A switch</li><li>• Prefilled with VMA 055 oil</li></ul>	<ul style="list-style-type: none"><li>• Terminal box</li><li>• Prefilled with VMA 055 oil</li></ul>	<ul style="list-style-type: none"><li>• M/A switch</li><li>• Prefilled with VMA 055 oil</li></ul>	<ul style="list-style-type: none"><li>• Terminal box</li><li>• Prefilled with VMA 055 oil</li></ul>

## DO YOU WANT TO KNOW MORE?

Get in touch with us directly!  
[sales@busch.co.uk](mailto:sales@busch.co.uk) or +44 (0)1952 67 74 32



CONTACT FORM



CALL NOW