

COBRA NX 0450/0650 A

Dry screw vacuum pumps



VACUUM SOLUTIONS



High performance

Advanced screw design, patented self-balancing screws, perfectly suited for heat treatment, coating, vacuum packaging, vacuum drying and degassing

Efficient

Low cost of ownership, minimal maintenance, long service intervals, high uptime, efficient water cooling

Flexible

Modular design, easy combination with PANDA vacuum boosters for increased ultimate pressure and pumping speed

Accessories

- Sealing gas supply for seals used with applications particularly subject to damp or dust
- Gas-ballast valve for increased water vapor tolerance
- Exhaust gas silencer for reduced sound level
- Radiator cooling system

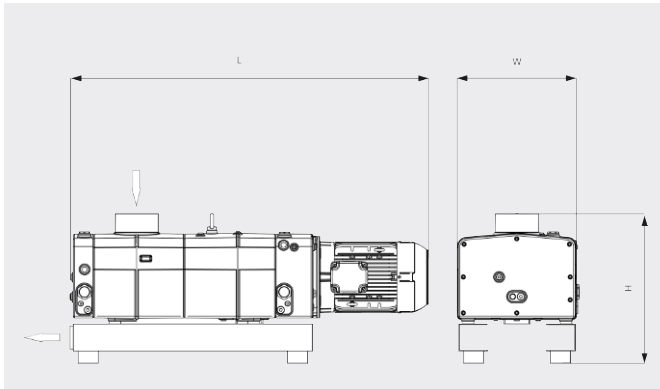
COBRA NX 0450/0650 A

Dry screw vacuum pumps



VACUUM SOLUTIONS

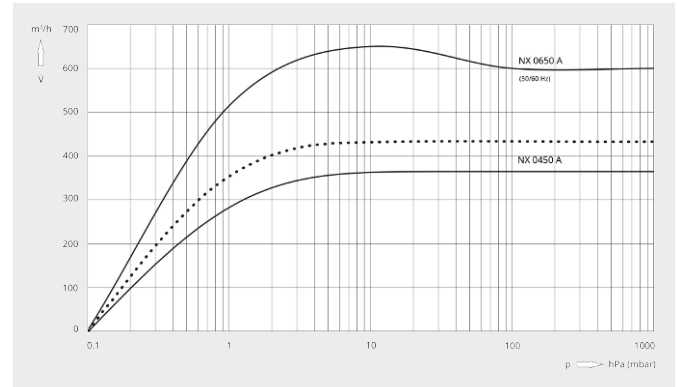
Dimensional drawing



Pumping speed

Air at 20°C. Tolerance: ± 10%

— 50 Hz 60 Hz



| | COBRA NX 0450 A | COBRA NX 0650 A |
|-------------------------------|--|--|
| Nominal pumping speed | 350 / 420 m³/h (50 / 60 Hz) | 650 m³/h (50 / 60 Hz) |
| Ultimate pressure | ≤ 0.1 hPa (mbar) (50 / 60 Hz) | ≤ 0.1 hPa (mbar) (50 / 60 Hz) |
| Nominal motor rating | 7.5 / 9.5 kW (50 / 60 Hz) | 12.5 / 15.0 kW (50 / 60 Hz) |
| Nominal motor speed | 3000 / 3600 min ⁻¹ (50 / 60 Hz) | 3000 / 3600 min ⁻¹ (50 / 60 Hz) |
| Noise level (ISO 2151) | 65 / 70 dB(A) (50 / 60 Hz) | 71 / 75 dB(A) (50 / 60 Hz) |
| Weight approx. | 500 kg | 700 kg |
| Dimensions (L x W x H) | 1321 x 450 x 551 mm | 1521 x 524 x 623 mm |
| Gas inlet / outlet | G 3"/ ISO-F DN 100 / G 2"/ ISO-F DN 63 | G 3"/ ISO-F DN 100 / G 3"/ ISO-F DN 100 |

DO YOU WANT TO KNOW MORE?

Get in touch with us directly!
sales@busch.co.uk or +44 (0)1952 67 74 32



CONTACT FORM



CALL NOW