

R5 RA 1000/1600 A PLUS

Oil-lubricated rotary vane vacuum pumps



VACUUM SOLUTIONS



Discover all advantages of the product series R5 RA

Control and monitoring

Ready for Industry 4.0 providing remote control, condition monitoring and communication protocols

Cost savings

Reduced energy consumption and minimized operating costs

Proven technology

Reliable operation thanks to R5 rotary vane vacuum technology

Accessories

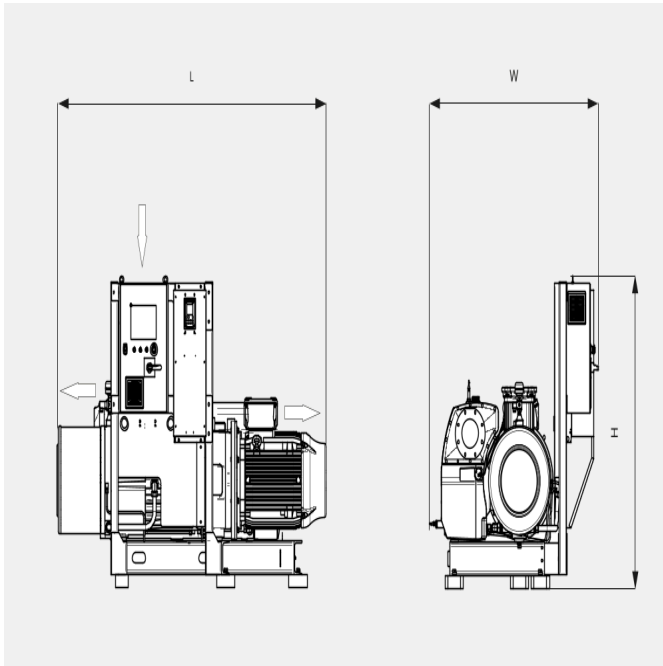
- Version without acoustic enclosure
- Energy Recuperation Kit with water heat exchanger

R5 RA 1000/1600 A PLUS

Oil-lubricated rotary vane vacuum pumps

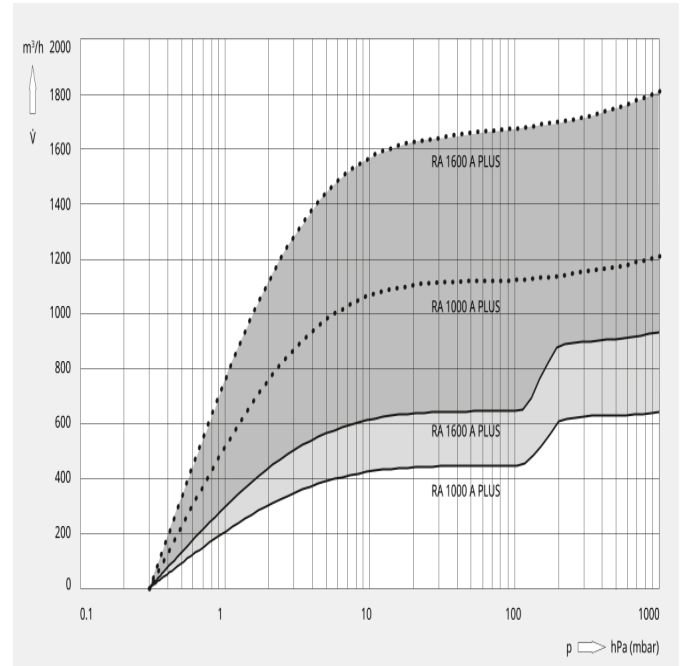


Dimensional drawing



Pumping speed

Air at 20 °C. Tolerance: ± 10%



The following technical values refer to ISO 50 Hz

	R5 RA 1000 A PLUS	R5 RA 1600 A PLUS
Nominal pumping speed	440 – 1200 m³/h	640 – 1800 m³/h
Ultimate pressure	0.3 hPa (mbar)	0.3 hPa (mbar)
Nominal motor rating	30 kW	37 kW
Nominal motor speed	500 – 1200 min ⁻¹	500 – 1200 min ⁻¹
Power consumption at 100 mbar	8.6 – 22.3 kW	12.8 – 35.9 kW
Power consumption at ultimate pressure	5.4 – 12.5 kW	6.9 – 19.0 kW
Noise level (ISO 2151)	65 – 79 dB(A)	69 – 83 dB(A)
Oil capacity	30 l	30 l
Weight approx.	1230 kg	1580 kg
Dimensions (L x W x H)	1964 x 1422 x 1451 mm	2198 x 1422 x 1451 mm
Gas outlet	DN 125	DN 125

R5 RA 1000/1600 A PLUS

Oil-lubricated rotary vane vacuum pumps



	R5 RA 1000 A PLUS	R5 RA 1600 A PLUS
Gas inlet	DN 150	DN 150

The following technical values refer to ISO 60 Hz

	R5 RA 1000 A PLUS	R5 RA 1600 A PLUS
Nominal pumping speed	440 – 1200 m ³ /h	640 – 1800 m ³ /h
Ultimate pressure	0.3 hPa (mbar)	0.3 hPa (mbar)
Nominal motor rating	30 kW	37 kW
Nominal motor speed	500 – 1200 min ⁻¹	500 – 1200 min ⁻¹
Power consumption at 100 mbar	8.6 – 22.3 kW	12.8 – 35.9 kW
Power consumption at ultimate pressure	5.4 – 12.5 kW	6.9 – 19.0 kW
Noise level (ISO 2151)	65 – 79 dB(A)	69 – 83 dB(A)
Oil capacity	30 l	30 l
Weight approx.	1230 kg	1580 kg
Dimensions (L x W x H)	1964 x 1422 x 1451 mm	2198 x 1422 x 1451 mm
Gas outlet	DN 125	DN 125
Gas inlet	DN 150	DN 150

DO YOU WANT TO KNOW MORE

Please contact us!
info@vakutek.com.tr or +90 (0)216 3100573



CONTACT FORM



CALL US NOW