

R5 RA/RC 0010/0016 C

Oil-lubricated rotary vane vacuum pumps



VACUUM SOLUTIONS



Compact

Reduced height and weight, ideal for installations in confined spaces

Reliable

Robust construction, highly durable fiber-reinforced epoxy resin vanes, proven rotary vane technology, long service life

Flexible

Various design options available, easy adaption to individual customer requirements and processes

Accessories

- Gas-ballast valve
- Filter pressure gauge
- Vacuum regulating unit
- Various inlet filters
- Vacuum pump oils for all applications

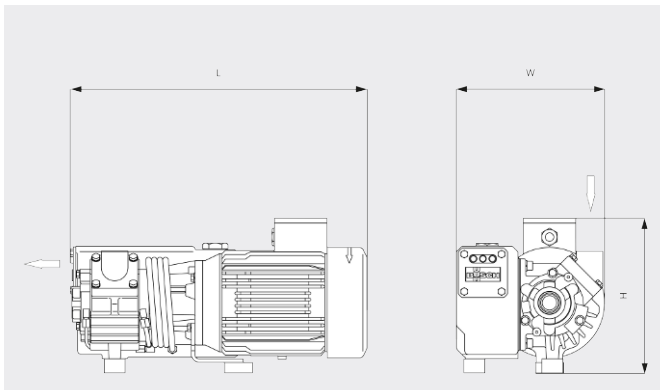
R5 RA/RC 0010/0016 C

Oil-lubricated rotary vane vacuum pumps



VACUUM SOLUTIONS

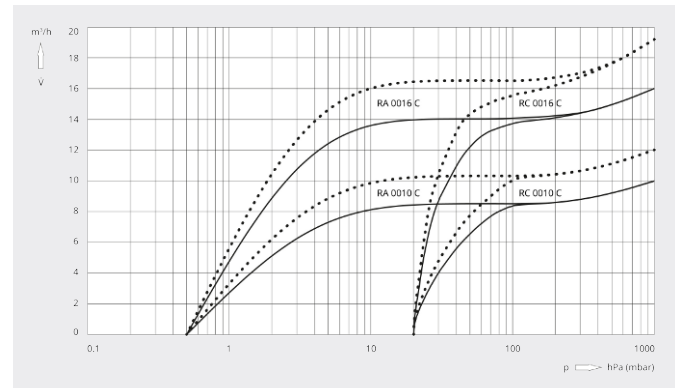
Dimensional drawing



Pumping speed

Air at 20°C. Tolerance: ± 10%

— 50 Hz 60 Hz



	R5 RA 0010 C	R5 RC 0010 C	R5 RA 0016 C	R5 RC 0016 C
Nominal pumping speed	10 / 12 m³/h (50 / 60 Hz)	10 / 12 m³/h (50 / 60 Hz)	16 / 19 m³/h (50 / 60 Hz)	16 / 19 m³/h (50 / 60 Hz)
Ultimate pressure	0.5 hPa (mbar) (50 / 60 Hz)	20.0 hPa (mbar) (50 / 60 Hz)	0.5 hPa (mbar) (50 / 60 Hz)	20.0 hPa (mbar) (50 / 60 Hz)
Nominal motor rating	0.45 / 0.45 kW (50 / 60 Hz)	0.45 / 0.45 kW (50 / 60 Hz)	0.55 / 0.7 kW (50 / 60 Hz)	0.55 / 0.7 kW (50 / 60 Hz)
Nominal motor speed	1500 / 1800 min ⁻¹ (50 / 60 Hz)	1500 / 1800 min ⁻¹ (50 / 60 Hz)	1500 / 1800 min ⁻¹ (50 / 60 Hz)	1500 / 1800 min ⁻¹ (50 / 60 Hz)
Noise level (ISO 2151)	53 / 56 dB(A) (50 / 60 Hz)	53 / 56 dB(A) (50 / 60 Hz)	54 / 56 dB(A) (50 / 60 Hz)	54 / 56 dB(A) (50 / 60 Hz)
Oil capacity	0.4 l	0.4 l	0.4 l	0.4 l
Weight approx.	19 kg	19 kg	19 kg	19 kg
Dimensions (L x W x H)	398 x 209 x 211 mm	398 x 209 x 211 mm	422 x 209 x 220 mm	422 x 209 x 220 mm
Gas inlet	G ¾"	G ¾"	G ¾"	G ¾"

DO YOU WANT TO KNOW MORE?

Get in touch with us directly!
vakutek@ttmail.com or +90 (0)2163100573



CONTACT FORM



CALL NOW