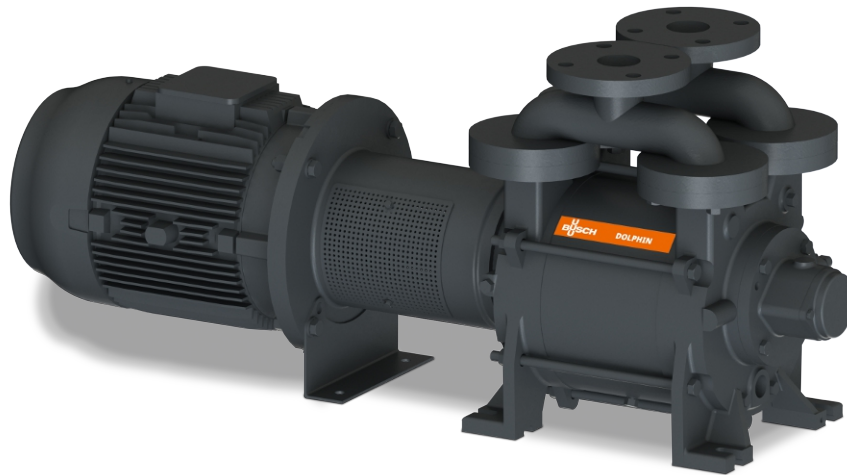


# DOLPHIN LA 0224-0475 A

Liquid ring vacuum pumps



VACUUM SOLUTIONS



## Robust

Proven technology, durable single-stage construction

## Reliable

Extremely high vapor and particle tolerance

## Flexible

Wide range of construction materials, including cast iron (EN-GJL-200), many grades of stainless steel and even titanium, ATEX-certified version available (Cat 1(i)/2(o) IIC T5), different operating fluids possible, operation as compressor possible

Accessories, spare parts and options

- Partial or total recirculation systems
- Liquid separator
- Cavitation protection
- Heat exchanger
- Gas ejector
- Wide selection of motors
- Non-return valves
- Vacuum relief valves

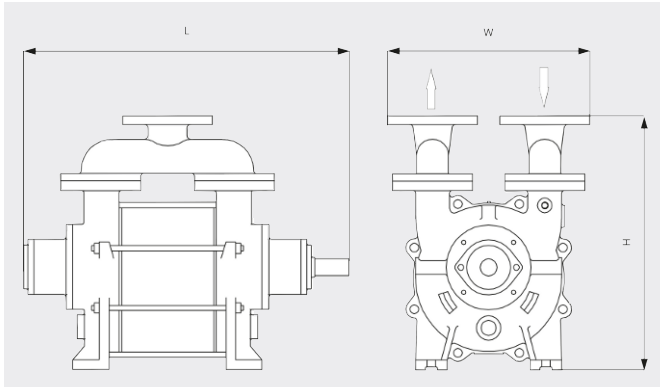
# DOLPHIN LA 0224-0475 A

Liquid ring vacuum pumps



VACUUM SOLUTIONS

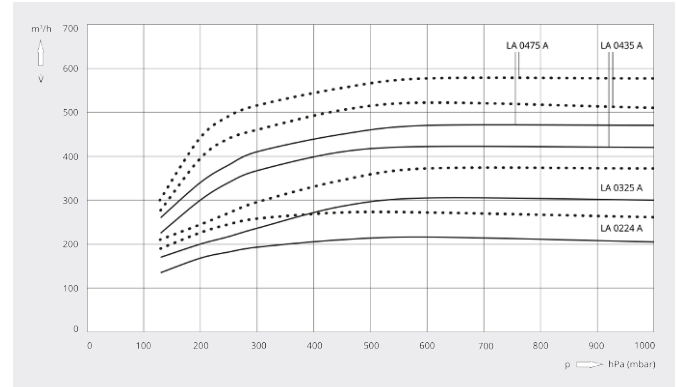
Dimensional drawing



Pumping speed

Air at 20°C. Tolerance: ± 10%

— 50 Hz ..... 60 Hz



	DOLPHIN LA 0224 A	DOLPHIN LA 0325 A	DOLPHIN LA 0435 A	DOLPHIN LA 0475 A
<b>Nominal pumping speed</b>	220 / 270 m³/h (50 / 60 Hz)	320 / 350 m³/h (50 / 60 Hz)	430 / 500 m³/h (50 / 60 Hz)	470 / 570 m³/h (50 / 60 Hz)
<b>Ultimate pressure</b>	130 hPa (mbar) (50 / 60 Hz)	150 hPa (mbar) (50 / 60 Hz)	150 hPa (mbar) (50 / 60 Hz)	130 hPa (mbar) (50 / 60 Hz)
<b>Nominal motor rating</b>	5.5 / 7.5 kW (50 / 60 Hz)	11 / 15 kW (50 / 60 Hz)	11 / 15 kW (50 / 60 Hz)	18.5 / 22 kW (50 / 60 Hz)
<b>Nominal motor speed</b>	1450 / 1750 min <sup>-1</sup> (50 / 60 Hz)	1450 / 1750 min <sup>-1</sup> (50 / 60 Hz)	1450 / 1750 min <sup>-1</sup> (50 / 60 Hz)	1450 / 1750 min <sup>-1</sup> (50 / 60 Hz)
<b>Noise level (ISO 2151)</b>	72 dB(A) (50 / 60 Hz)	75 dB(A) (50 / 60 Hz)	75 dB(A) (50 / 60 Hz)	74 dB(A) (50 / 60 Hz)
<b>Weight approx.</b>	94 kg	159 kg	159 kg	210 kg
<b>Dimensions (L x W x H)</b>	( 547 – 713 ) x 270 x 450 mm	( 626 – 817 ) x 300 x 387 mm	( 667 – 857 ) x 300 x 520 mm	( 797 – 787 ) x 300 x 520 mm
<b>Gas inlet / outlet</b>	DN 50 PN 10 / DN 50 PN 10	DN 50 PN 10 / DN 50 PN 10	DN 65 PN 10 / DN 65 PN 10	DN 65 PN 10 / DN 65 PN 10

## DO YOU WANT TO KNOW MORE?

Get in touch with us directly!  
[vakutek@ttmail.com](mailto:vakutek@ttmail.com) or +90 (0)2163100573



CONTACT FORM



CALL NOW