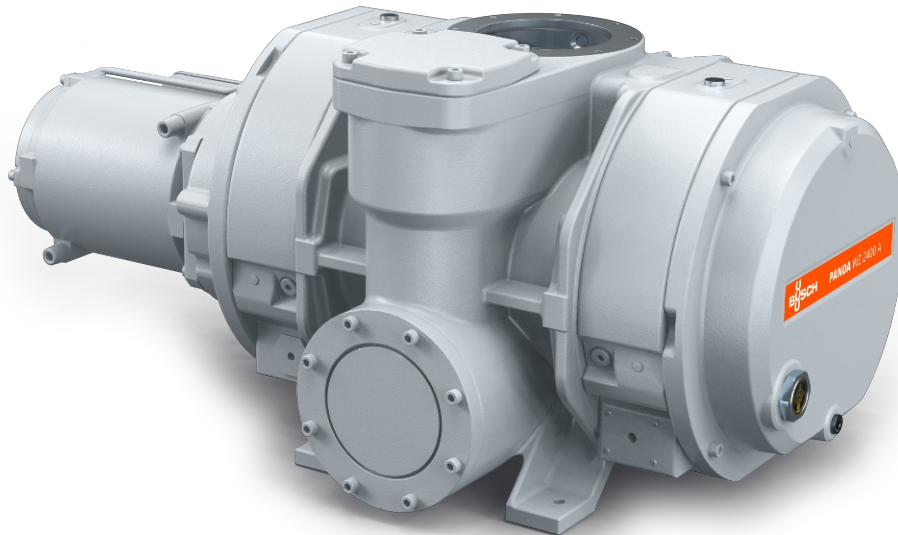


# PANDA WZ 0250-2400 A/B

Vacuum boosters



VACUUM SOLUTIONS



## Reliable

Solid lobe design, robust construction, reliable under varying operating conditions, leak-tight, barrier gas connection

## High performance

Excellent volumetric efficiency, high ultimate pressure, integrated bypass valve, specially designed for medium and high vacuum applications including solar, flat panel and semiconductor processes

## Flexible

Can be flanged directly on the system at any position, boosts the performance of all types of backing pumps, with vertical or lateral discharge

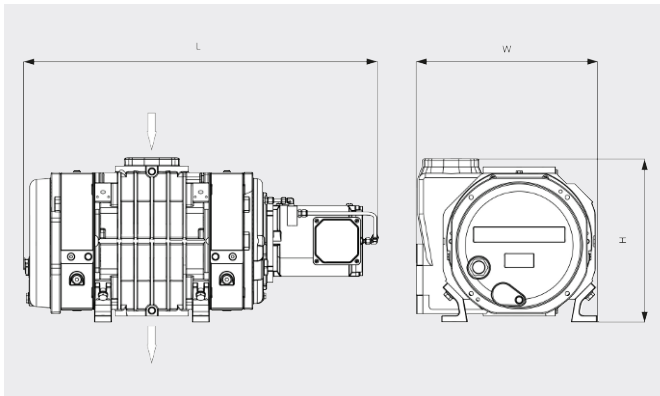
# PANDA WZ 0250-2400 A/B

Vacuum boosters



VACUUM SOLUTIONS

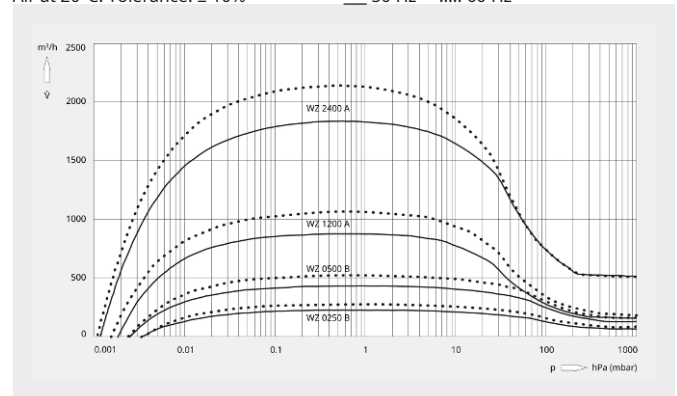
Dimensional drawing



Pumping speed

Air at 20°C. Tolerance: ± 10%

— 50 Hz ..... 60 Hz



	PANDA WZ 0250 B	PANDA WZ 0500 B	PANDA WZ 1200 A	PANDA WZ 2400 A
<b>Nominal pumping speed</b>	263 / 315 m³/h (50 / 60 Hz)	525 / 630 m³/h (50 / 60 Hz)	1050 / 1260 m³/h (50 / 60 Hz)	2120 / 2540 m³/h (50 / 60 Hz)
<b>Pumping speed</b>	233 / 281 m³/h (50 / 60 Hz)	464 / 560 m³/h (50 / 60 Hz)	875 / 1054 m³/h (50 / 60 Hz)	1830 / 2158 m³/h (50 / 60 Hz)
<b>Max. differential pressure</b>	100 hPa (mbar) (50 / 60 Hz)	100 hPa (mbar) (50 / 60 Hz)	53 hPa (mbar) (50 / 60 Hz)	53 hPa (mbar) (50 / 60 Hz)
<b>Leakage rate</b>	≤ 1 · 10 <sup>-6</sup> mbar · l/s	≤ 1 · 10 <sup>-6</sup> mbar · l/s	≤ 1 · 10 <sup>-6</sup> mbar · l/s	≤ 1 · 10 <sup>-6</sup> mbar · l/s
<b>Nominal motor rating</b>	1.5 / 1.8 kW (50 / 60 Hz)	4.0 / 4.4 kW (50 / 60 Hz)	4.0 / 4.4 kW (50 / 60 Hz)	5.5 / 6.6 kW (50 / 60 Hz)
<b>Nominal motor speed</b>	1500 / 1800 min <sup>-1</sup> (50 / 60 Hz)	3000 / 3600 min <sup>-1</sup> (50 / 60 Hz)	3000 / 3600 min <sup>-1</sup> (50 / 60 Hz)	3000 / 3600 min <sup>-1</sup> (50 / 60 Hz)
<b>Weight approx.</b>	165 kg	175 kg	285 kg	515 kg
<b>Dimensions (L x W x H)</b>	819 x 372 x 422 mm	819 x 372 x 422 mm	917 x 470 x 353 mm	1089 x 568 x 503 mm
<b>Gas inlet / outlet (vertical)</b>	DN 100 ISO / DN 100 ISO	DN 100 ISO / DN 100 ISO	DN 160 ISO / DN 100 ISO	DN 160 ISO / DN 160 ISO
<b>Gas inlet / outlet (horizontal)</b>	DN 100 ISO / DN 63 ISO	DN 100 ISO / DN 63 ISO	DN 160 ISO / DN 100 ISO	DN 160 ISO / DN 160 ISO

DO YOU WANT TO KNOW MORE?

Get in touch with us directly!  
[vakutek@ttmail.com](mailto:vakutek@ttmail.com) or +90 (0)2163100573



CONTACT FORM



CALL NOW