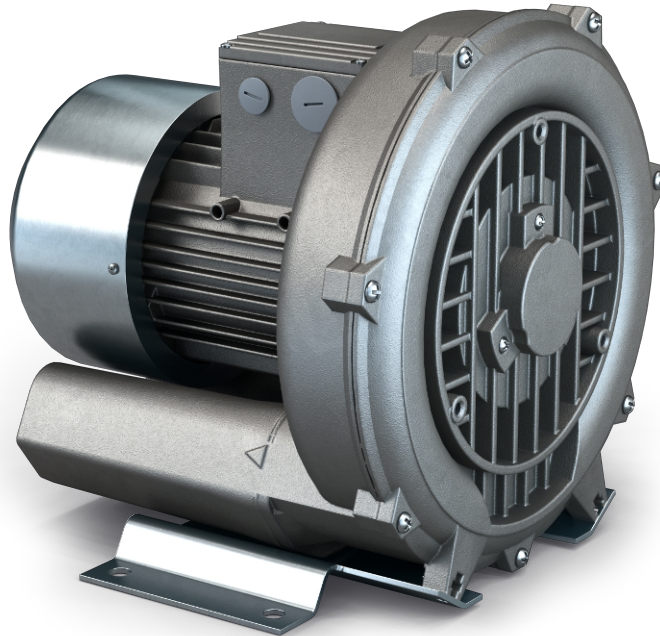


SAMOS SB 0050-0200 D0

Side channel blowers



VACUUM SOLUTIONS



Reliable

Robust and light-weight construction, effective air cooling, long lifetime, nearly maintenance-free, dry and contact-free operating principle

Flexible

Vacuum or overpressure operation, horizontal and vertical installation, various design options and ATEX-certified versions available

Quiet

Very low noise level, fully enclosed unit, internal silencers

Accessories

- Vacuum relief valves
- Pressure relief valves
- Additional silencers
- Thermal protection (bimetal switch or PTC-thermistor)
- Inlet filter for vacuum or pressure operation

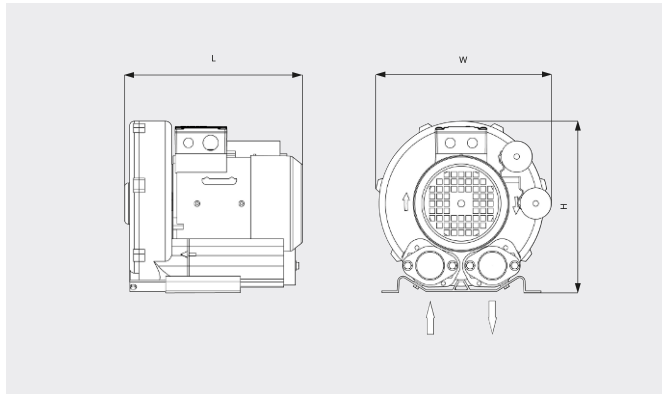
SAMOS SB 0050-0200 D0

Side channel blowers



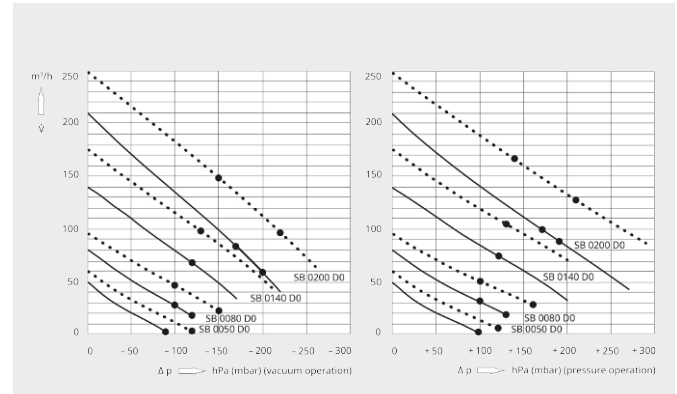
VACUUM SOLUTIONS

Dimensional drawing



Pumping speed/Volume flow
Air at 20°C. Tolerance: ± 10%

— 50 Hz 60 Hz



	SAMOS SB 0050 D0	SAMOS SB 0080 D0	SAMOS SB 0080 D0
Nominal pumping speed/volume flow	50 / 60 m³/h (50 / 60 Hz)	80 / 96 m³/h (50 / 60 Hz)	80 / 96 m³/h (50 / 60 Hz)
Max. differential pressure (vacuum version)	-90 / -120 hPa (mbar) (50 / 60 Hz)	-100 hPa (mbar) (50 / 60 Hz)	-120 / -150 hPa (mbar) (50 / 60 Hz)
Max. differential pressure (overpressure version)	+100 / +120 hPa (mbar) (50 / 60 Hz)	+100 hPa (mbar) (50 / 60 Hz)	+130 / +160 hPa (mbar) (50 / 60 Hz)
Nominal motor rating	0.2 / 0.23 kW (50 / 60 Hz)	0.25 / 0.29 kW (50 / 60 Hz)	0.4 / 0.5 kW (50 / 60 Hz)
Nominal motor speed	2850 / 3450 min ⁻¹ (50 / 60 Hz)	2850 / 3450 min ⁻¹ (50 / 60 Hz)	2850 / 3450 min ⁻¹ (50 / 60 Hz)
Noise level (ISO 3744)	50 / 53 dB(A) (50 / 60 Hz)	53 / 56 dB(A) (50 / 60 Hz)	53 / 56 dB(A) (50 / 60 Hz)
Weight approx.	7 kg	10 kg	10 kg
Dimensions (L x W x H)	256 x 246 x 247 mm	256 x 253 x 247 mm	256 x 253 x 247 mm
Gas inlet / outlet	G 1¼" / G 1¼"	G 1¼" / G 1¼"	G 1¼" / G 1¼"

	SAMOS SB 0140 D0	SAMOS SB 0200 D0	SAMOS SB 0200 D0
Nominal pumping speed/volume flow	140 / 175 m³/h (50 / 60 Hz)	210 / 250 m³/h (50 / 60 Hz)	210 / 250 m³/h (50 / 60 Hz)
Max. differential pressure (vacuum version)	-120 / -130 hPa (mbar) (50 / 60 Hz)	-170 / -150 hPa (mbar) (50 / 60 Hz)	-200 / -220 hPa (mbar) (50 / 60 Hz)
Max. differential pressure (overpressure version)	+120 / +130 hPa (mbar) (50 / 60 Hz)	+170 / +140 hPa (mbar) (50 / 60 Hz)	+190 / +210 hPa (mbar) (50 / 60 Hz)
Nominal motor rating	0.7 / 0.83 kW (50 / 60 Hz)	1.3 / 1.5 kW (50 / 60 Hz)	1.6 / 2.05 kW (50 / 60 Hz)
Nominal motor speed	2850 / 3450 min ⁻¹ (50 / 60 Hz)	2850 / 3450 min ⁻¹ (50 / 60 Hz)	2850 / 3450 min ⁻¹ (50 / 60 Hz)

SAMOS SB 0050-0200 D0

Side channel blowers



VACUUM SOLUTIONS

	SAMOS SB 0140 D0	SAMOS SB 0200 D0	SAMOS SB 0200 D0
Noise level (ISO 3744)	63 / 64 dB(A) (50 / 60 Hz)	64 / 70 dB(A) (50 / 60 Hz)	64 / 70 dB(A) (50 / 60 Hz)
Weight approx.	13 kg	23 kg	23 kg
Dimensions (L x W x H)	269 x 285 x 302 mm	346 x 334 x 347 mm	346 x 334 x 347 mm
Gas inlet / outlet	G 1½" / G 1½"	G 2" / G 2"	G 2" / G 2"

DO YOU WANT TO KNOW MORE?

Get in touch with us directly!
vakutek@ttmail.com or +90 (0)2163100573



CONTACT FORM



CALL NOW