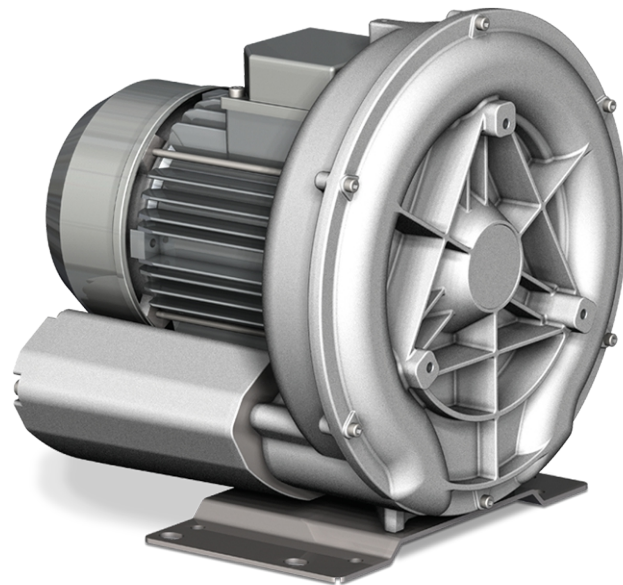


# SAMOS SI 0045-0150 E1

Side channel blowers



VACUUM SOLUTIONS



## Reliable

Robust and light-weight construction, effective air cooling, long lifetime, nearly maintenance-free, dry and contact-free operating principle, protection against overheating

## Flexible

Vacuum or overpressure operation, horizontal and vertical installation

## Quiet

Low noise level, fully enclosed unit, internal silencers

### Accessories

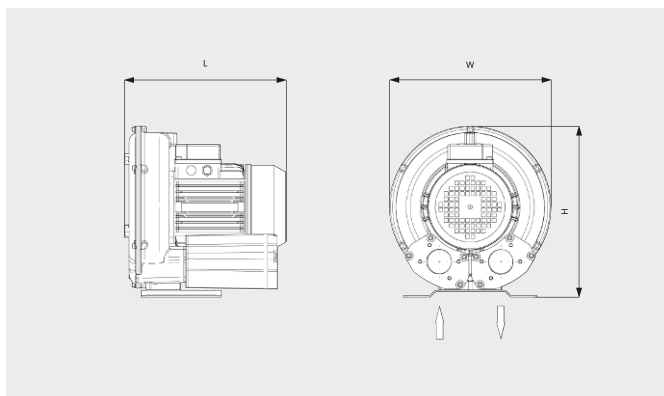
- Vacuum relief valves
- Pressure relief valves
- Additional silencers
- Inlet filter for vacuum or pressure operation

# SAMOS SI 0045-0150 E1

Side channel blowers



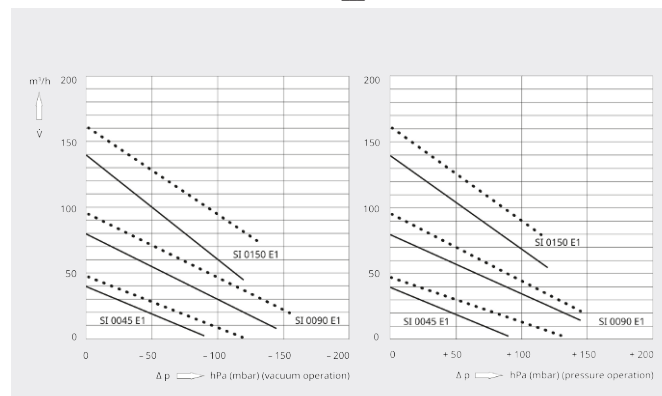
Dimensional drawing



Pumping speed/Volume flow

Air at 20°C. Tolerance: ± 10%

— 50 Hz ..... 60 Hz



	SAMOS SI 0045 E1	SAMOS SI 0090 E1	SAMOS SI 0150 E1
<b>Nominal pumping speed/volume flow</b>	40 / 48 m <sup>3</sup> /h (50 / 60 Hz)	80 / 96 m <sup>3</sup> /h (50 / 60 Hz)	135 / 162 m <sup>3</sup> /h (50 / 60 Hz)
<b>Max. differential pressure (vacuum version)</b>	-90 / -120 hPa (mbar) (50 / 60 Hz)	-145 / -155 hPa (mbar) (50 / 60 Hz)	-120 / -130 hPa (mbar) (50 / 60 Hz)
<b>Max. differential pressure (overpressure version)</b>	+90 / +130 hPa (mbar) (50 / 60 Hz)	+145 hPa (mbar) (50 / 60 Hz)	+120 / +135 hPa (mbar) (50 / 60 Hz)
<b>Nominal motor rating</b>	0.2 kW (50 / 60 Hz)	0.4 / 0.5 kW (50 / 60 Hz)	0.7 / 0.9 kW (50 / 60 Hz)
<b>Nominal motor speed</b>	3000 / 3600 min <sup>-1</sup> (50 / 60 Hz)	3000 / 3600 min <sup>-1</sup> (50 / 60 Hz)	3000 / 3600 min <sup>-1</sup> (50 / 60 Hz)
<b>Noise level (ISO 3744)</b>	57 / 60 dB(A) (50 / 60 Hz)	58 / 61 dB(A) (50 / 60 Hz)	64 / 66 dB(A) (50 / 60 Hz)
<b>Weight approx.</b>	7 kg	10 kg	18 kg
<b>Dimensions (L x W x H)</b>	192 x 198 x 209 mm	271 x 245 x 151 mm	283 x 302.5 x 321 mm
<b>Gas inlet / outlet</b>	G 1" / G 1"	G 1¼" / G 1¼"	G 1½" / G 1½"

**DO YOU WANT TO KNOW MORE?**

Get in touch with us directly!  
[vakutek@ttmail.com](mailto:vakutek@ttmail.com) or +90 (0)2163100573



CONTACT FORM



CALL NOW